

INSTRUCTIONS FOR USE BETRIEBSANLEITUNG

STEYR PISTOL L-A2 MF
STEYR PISTOL M-A2 MF
STEYR PISTOL C-A2 MF



Important
Read before use!

Wichtig
Vor Gebrauch lesen!



Loaded chamber indicator - pistol loaded
Ladestandsanzeiger - Pistole geladen

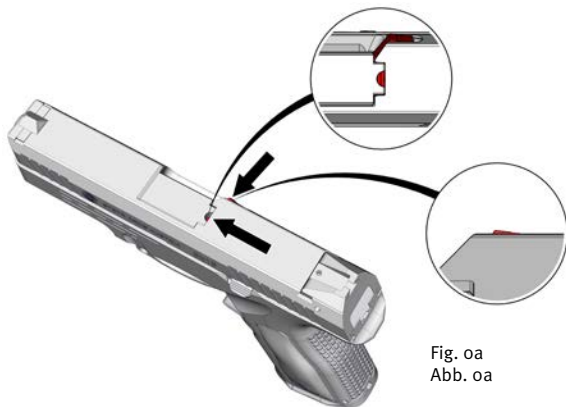


Fig. oa
Abb. oa

Loaded chamber indicator - pistol unloaded
Ladestandsanzeiger - Pistole ungeladen

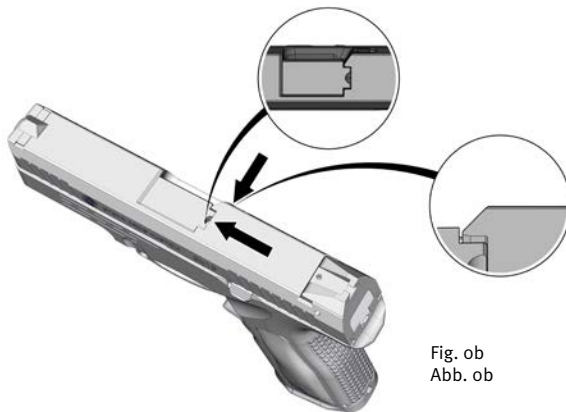


Fig. ob
Abb. ob

**Loaded chamber indicator mechanically – only in the STEYR L9-A2 MF
Pistol loaded**
**Ladestandsanzeiger mechanisch – nur in der STEYR L9-A2 MF
Pistole geladen**



Fig. oc
Abb. oc

**Loaded chamber indicator mechanically – only in the STEYR L9-A2 MF
Pistol unloaded**
**Ladestandsanzeiger mechanisch – nur in der STEYR L9-A2 MF
Pistole ungeladen**



Fig. od
Abb. od



STEYR ARMS GmbH
Ramingtal 46
4442 Kleinraming / Austria
office@steyr-arms.com
www.steyr-arms.com



 **WARNING!**

Text passages after the word „WARNING!“ contain informations which have to be followed to save the shooter from potential damage.

 **CAUTION!**

Text passages after the word „CAUTION!“ contain informations which have to be followed to avoid potential damage to the weapon.

Intended Use

STEYR ARMS weapons are intended to be used according to the respective national regulations. Any other use or any exceeding use is regarded to be a use not intended. The adherence of the instructions regarding safety, operation, maintenance and care given in the user's manual are part of the intended use. The user is solely liable for any damages resulting from use not intended. This applies as well for any arbitrary and inappropriate changes to the gun.

Preface

This manual and the warnings contained herein must be read and understood before using your product. This manual familiarizes the user with the function and the handling of the rifle and warns against the potential dangers of misuse that may lead to accidents or injuries. This manual should always accompany this firearm and be transferred with it upon change of ownership, or when the firearm is loaned or presented to another person.

This manual is not a substitute for a firearms safety course!

Instructions for use**STEYR PISTOL L-A2 MF, M-A2 MF, C-A2 MF****Dear Customer,**

with the purchase of the weapon manufactured by STEYR ARMS, you have acquired a product which meets the highest quality standards. The weapon has been conceived to state of-the-art requirements of today's. Unsurpassed performance, superb quality, optimum user comfort in handling, and long service life have been the parameters this new development has been designed for. With our thorough quality assurance system you can be sure to have acquired a top-brand product of outstanding quality.

Copyright STEYR ARMS GmbH.

All rights reserved.

Standards and certificates

STEYR ARMS is certified according to EN ISO 9001:2015.

DNV·GL		
MANAGEMENT SYSTEM CERTIFICATE		
Certificate No: 115208-2012-AQ-GER-DAKKS	Initial certification date: 23. June 2003	Valid: 27. August 2018 - 26. August 2021
This is to certify that the management system of		
Steyr Mannlicher GmbH Rammingtal 46, 4442 Rammingtal 46, Austria		
 STEYR MANNLICHER COUNT ON IT		
has been found to conform to the Quality Management System standard:		
ISO 9001:2015		
This certificate is valid for the following scope:		
Development, manufacture and distribution of hunting guns and law enforcement arms		
Place and date: Essen, 23. August 2018	 DAKKS Deutsche Akkreditierungsstelle D-ZM-18453-01-00	For the issuing office: DNV GL - Business Assurance Schweringhof 14, 45329 Essen, Germany  Thomas Beck Technical Manager
		
<small>Lack of fulfillment of conditions as set out in the Certification Agreement may render this Certificate invalid. ACCREDITED UNIT DNV GL Business Assurance Zertifizierung und Umweltgutachter GmbH, Schweringhof 14, 45329 Essen, Germany. TEL: +49 201 3796-3222, www.dnvgl.de/assurance</small>		

Table of Content

1. Special notes and warnings	5
2. General description	13
3. Technical data	16
4. Main assemblies	19
5. Main features	20
6. Safety features	22
7. Loading, firing	25
8. Unloading	29
9. Disassembly	31
10. Cleaning and maintenance	35
11. Reassembly	40
12. Individual adjustment of the grip	41
13. Dealing with stoppages	44
14. Warranty clauses	47
15. Parts list	49

1. Special notes and warnings

WARNING!

Failure to adhere to safety informations and safety instructions in this manual, carelessly or improperly handled, can cause an unintentional discharge, property damage, personal injury or death.

WARNING!

The higher level of preparedness required of law enforcement and military personnel may override several of the following safety instructions. To provide safety while operating at a higher level of preparedness, proper oriented training and a reasonable amount of periodic training, which stresses safe tactical procedures, is required.

WARNING!

Prior using the gun for the first time, carefully read this manual, which gives basic advice on the proper handling and functioning of this firearm. However, your safety and the safety of others depend on your compliance with that advice, and your adoption, development and constant employment of safe practice.

Note: If unfamiliar with firearms, seek further advice through safe handling courses run by your local gun clubs, approved instructor, or similar qualified organizations.

 **WARNING!**

The weapon is designed exclusively for use with high-quality, original factory manufactured cartridges produced according to international standards (eg STANAG, MIL-STD, SAAMI, CIP,...). Use of hand loaded, reloaded, „remanufactured“ or other nonstandard ammunition may cause serious malfunctions which can pose a safety hazard to the shooter or to others and the weapon can be damaged.

 **WARNING!**

It is possible that a round may be in the chamber when a loaded or empty magazine is being removed or inserted. Any round in the chamber will discharge upon pulling the trigger with the magazine inserted or removed from the firearm. Therefore the user shall never leave the firearm unattended. The user should exercise extreme caution, even when the magazine is removed and he personally has to verify that there is no cartridge in the chamber before field stripping the firearm for cleaning or any other reason.

Safety instructions

You may be an experienced safe shooter already, and familiar with the procedures in this manual, or you may never have handled a gun before. Either way we urge you to **read this entire manual carefully**. It is essential to follow the safety instructions for your safety and the safety of others.

 WARNING!

STEYR ARMS firearms have several internal safeties, designed to prevent an accidental discharge, should the rifle be dropped or receives a severe blow of the muzzle or front or back of the firearm. Therefore extra care and strict adherence to the safety instructions and other instructions contained in this manual by the gun user is mandatory for minimizing the risk of accidents. However, like any other mechanical device, when subjected to extreme forces not normally encountered in sporting, law enforcement or military use, a part failure can occur. The proper and safe function of this firearm is based on the premise that parts are not altered or modified, and the rifle is used for its intended purpose.

 WARNING!

In case any of the firearm's safeties proves to be ineffective for any reason, danger of an unintentional discharge exists. The firearm is then to be immediately unloaded and restricted for any further use. Make sure that your firearm is properly repaired and checked by authorized personnel before using it again!

General precautions

- 1 Always handle your firearm as if it were loaded so that you never fire accidentally.
- 2 Never point your firearm at a target you do not intend to shoot.
- 3 Never trust a gun is unloaded. Convince yourself by opening the bolt and checking the chamber.
- 4 Always make sure barrel and bolt are clear of obstructions. Clean obstructions immediately so that the weapon will function correctly and safely. Any obstacle in the barrel may result in a destruction of the weapon, serious injury, or a fatal outcome for the shooter or persons next to the weapon.
- 5 Never squeeze the trigger or put your finger in the trigger guard until you are aiming at the target you intend to shoot.
- 6 **For storage:**
Unload the firearm as described, then after verifying that the firearm is empty (chamber empty and magazine off) store the firearm in the provided container in safety conditions only.
- 7 Never shoot at a hard surface, such as a rock, or a liquid surface, such as water. A bullet may ricochet and travel in any direction to strike you or an object you cannot see.
- 8 Always be sure your backstop is adequate to stop and contain bullets before beginning target practice so that you do not hit anything outside the shooting range area.

- 9 Always make sure that you know your target and the area behind it before you squeeze the trigger. A bullet could travel through your target or miss it and fly, depending on the caliber, several miles away. Do not shoot if you are not absolutely sure that you have a suitable ballpoint.
- 10 Always put a responsible and competent person in charge to maintain safety discipline and control when a group is firing on a range, to reduce the likelihood of accidents.
- 11 Always carry your firearm empty and open while on a range until preparing to fire. Keep it pointing towards the backstop during loading, firing and unloading the rifle.
- 12 Never use your firearm if it fails to function properly and never force a jammed action as the jammed round may explode.
- 13 Always transport your firearm unloaded.

14 **Failure to fire:**

Always hold the gun, keeping it pointed towards the target and wait 60 seconds when gun fails to fire. If a hangfire (slow ignition) has occurred, round will fire within 60 seconds. If round has not fired remove magazine, eject round and examine primer. If firing pin indent on primer is light or non-existent have rifle examined by a competent gunsmith. If firing pin indent on primer appears normal (in comparison with similar previously fired rounds) assume faulty ammunition. Separate round from other live ammunition and empty cases, reload and carry on firing.

Note: Dispose of misfired rounds in accordance with ammunition manufacturer's instructions.

- 15 Never fire your gun near an animal unless it is trained to accept that noise, an animal's startled reaction could injure it or cause an accident. The animal may suffer hearing loss.
- 16 Never drink alcoholic beverages or take drugs before or during shooting. As your vision and judgment could be seriously impaired, making your gun handling unsafe.
- 17 Always seek a doctor's advice if you are taking medication to be sure you are fit to shoot and handle your firearm safely.
- 18 Always wear ear protection when shooting, especially on a range. Without ear protection the noise from your firearm and other guns close to you could leave a "ringing" in your ears for some time after firing and could lead to cumulative long term permanent hearing loss.
- 19 Always wear safety glasses during shooting to protect your eyes.
- 20 Always make sure your firearm is not loaded before cleaning, storing, traveling or handing it to another person.
- 21 Always keep clear and keep others clear of the ejection port, as spent cartridges are ejected with enough force to cause injury. Never place fingers in ejection port or on hot slide or barrel during or after firing, as they could be burned by hot metal.

- 22 Only use high quality commercially manufactured ammunition in excellent condition and in the caliber of your firearm. The use of reloaded ammunition will void the warranty, due to the fact that there is no way to verify the standards (e.g.: SAAMI/CIP/NATO) adhered to because reloads or poor quality ammunition sometimes do not need specification (e.g.: SAAMI/CIP/NATO), exceed limits and could be unsafe.
- 23 Never pull the trigger if there is a cartridge in the chamber before the bolt has completely reached its most forward position (starting position).
- 24 Never shoot without sights.
- 25 Blank ammunition should not be fired towards individuals or objects within 33ft. / 10m or less from muzzle; fragments of closure wads of smoke or particles of unburned propellant may cause severe injury within that range.

 **WARNING!**

To minimize risk of unintentional discharge (and damage) load live ammunition into rifle only when you are about to shoot.

Special precautions in concerning children

- 1 Always store your rifle and ammunition in locked receptacles out of reach of unauthorized persons, especially children.
- 2 Teach your children to be cautious and respectful when dealing with weapons.
- 3 Never leave your rifle uncontrolled. Unauthorized persons, especially children, could believe the weapon is a toy and fire it.

Special warnings regarding full and semi-automatic weapons

- 1 Never place fingers in or near ejection port. They could be injured by the bolt moving forward or rearward unintentionally.
- 2 When ready for firing be sure that the area behind the slide is free (watch your thumb) as slide will sharply move back upon firing.
- 3 Do not shoot the pistol near to your body, as slide will sharply move back upon firing you can be hurt.

2. General description

The semi automatic STEYR pistols are mechanically locked, recoil-operated handguns boasting the following special features:

- **Compact dimensions**
- **Ergonomically shaped synthetic grip frame**
- **Reset-action trigger system.**
- **Individual selection of safety condition**
- **Loaded chamber indicator**
- **Triangular/trapezoid sight**

STEYR PISTOL

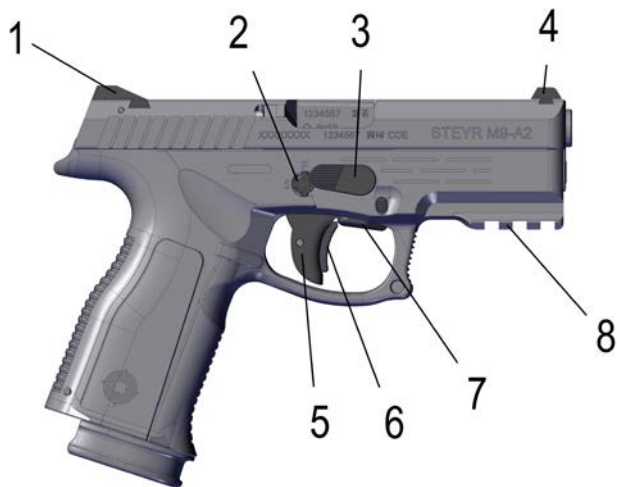


Fig. 1

- | | | | |
|---|------------------------------|---|--------------------------|
| 1 | Rear sight | 5 | Trigger |
| 2 | Limited access lock with key | 6 | Trigger safety |
| 3 | Disassembly lever | 7 | Manual safety (optional) |
| 4 | Front sight | 8 | Accessory mount |

STEYR PISTOL

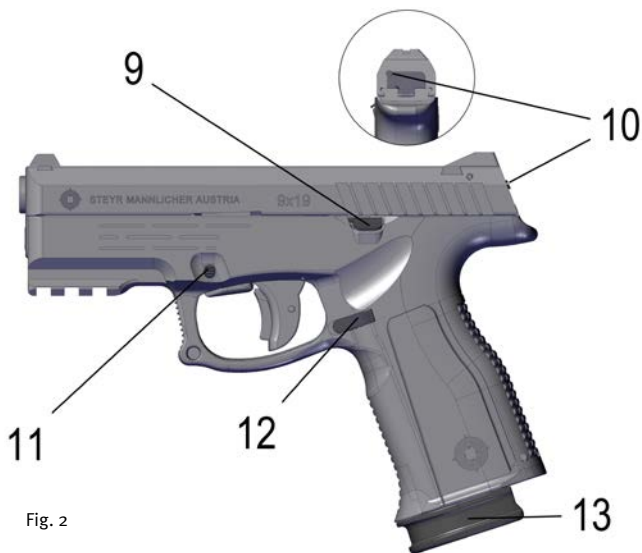


Fig. 2

- | | |
|---|---------------------|
| 9 Slide catch | 12 Magazine release |
| 10 Loaded chamber indicator
(only L-Version) | 13 Magazine |
| 11 Manual safety rod (optional) | |

3. Technical data

	L9 - A2	L40 - A2
Caliber	9 x 19 mm	40 S&W
Magazine capacity	17	15
Weight (with empty magazine)	27.76 oz / 787 g (mit 17 Schuss Magazin)	28.26 oz / 801 g (mit 15 Schuss Magazin)
Weight of empty magazine	3.14 oz / 89 g	3.00 oz / 85 g
Overall Length	7.9" / 200,5 mm	7.9" / 200,5 mm
Overall Height	5.59" / 142 mm (mit 17 Schuss Magazin)	5.59" / 142 mm (mit 15 Schuss Magazin)
Overall Width	1.3" / 33 mm	1.3" / 33 mm
Length of sight	6.7" / 170 mm	6.7" / 170 mm
Barrel length	4.53" / 115 mm	4.53" / 115 mm
Barrel profile	6 lands and grooves, right handed	6 lands and grooves, right handed
Trigger system	Reset action system (special double action system)	Reset action system (special double action system)
Trigger travel (constant)	0.15" / 4 mm	0.15" / 4 mm
Trigger pull	5.51 lb / ~ 2,5 kg	5.51 lb / ~ 2,5 kg
Reset action safeties	Trigger safety and drop safety	Trigger safety and drop safety
Manual safety	optional	optional
Loaded chamber indicator mechanically	optional	optional
Loaded chamber indicator optical	✓	✓
Integrated limited access lock with key	✓	✓

Subject to technical changes!

	M9 - A2	M40 - A2
Caliber	9 x 19 mm	40 S&W
Magazine capacity	17	15
Weight (with empty magazine)	27.02 oz / 780 g	27.31 oz / 791 g
Weight of empty magazine	3.14 oz / 89 g	3.00 oz / 85 g
Overall Length	7.36" / 187 mm	7.36" / 187 mm
Overall Height	5.59" / 142 mm (with 17 rounds magazine)	5.59" / 142 mm (with 15 rounds magazine)
Overall Width	1.3" / 33 mm	1.3" / 33 mm
Length of sight	6.22" / 158 mm	6.22" / 158 mm
Barrel length	4.01" / 102 mm	4.01" / 102 mm
Barrel profile	6 lands and grooves, right handed	6 lands and grooves, right handed
Trigger system	Reset action system (special double action system)	Reset action system (special double action system)
Trigger travel (constant)	0.15" / 4 mm	0.15" / 4 mm
Trigger pull	5.51 lb / ~ 2,5 kg	5.51 lb / ~ 2,5 kg
Reset action safeties	Trigger safety and drop safety	Trigger safety and drop safety
Manual safety	optional	optional
Loaded chamber indicator optical	✓	✓
Integrated limited access lock with key	✓	✓

Subject to technical changes!

	C9 - A2	C40 - A2
Caliber	9 x 19 mm	40 S&W
Magazine capacity	17	15
Weight (with empty magazine)	27.02 oz / 766 g	27.52 oz / 780 g
Weight of empty magazine	3.14 oz / 89 g	3.00 oz / 85 g
Overall Length	6.97" / 177 mm	6.9" / 181 mm
Overall Height	5.59" / 142 mm (with 17 rounds magazine)	5.59" / 142 mm (with 15 rounds magazine)
Overall Width	1.3" / 33 mm	1.3" / 33 mm
Length of sight	5.84" / 148,5 mm	6" / 152 mm
Barrel length	3.62" / 92 mm	3.78" / 96 mm
Barrel profile	6 lands and grooves, right handed	6 lands and grooves, right handed
Trigger system	Reset action system (special double action system)	Reset action system (special double action system)
Trigger travel (constant)	0.15" / 4 mm	0.15" / 4 mm
Trigger pull	5.51 lb / ~ 2,5 kg	5.51 lb / ~ 2,5 kg
Reset action safeties	Trigger safety and drop safety	Trigger safety and drop safety
Manual safety	optional	optional
Loaded chamber indicator optical	✓	✓
Integrated limited access lock with key	✓	✓

Subject to technical changes!

4. Main assemblies

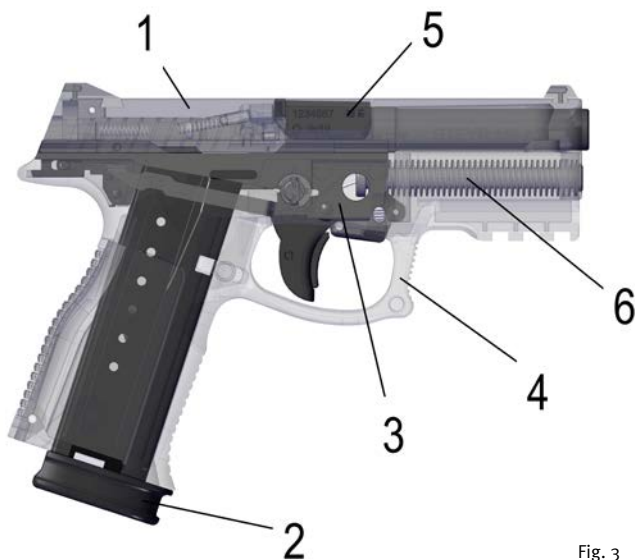


Fig. 3

- | | |
|-------------------------|--------------------------|
| 1 Slide | 4 Grip |
| 2 Magazine | 5 Barrel |
| 3 Multifunction element | 6 Recoil spring assembly |

5. Main features

Grip: The synthetic grip features an angle designed for optimal pointability, an ergonomical shape for enhanced comfort in operation and handling. The ergonomic grip can be individually adapted to the shooter's hand by replacing the back strap and the grip panels. On the front end is a Picatinny rail for mounting devices on the pistol.

Slide: The slide has an extremely low height, positively affecting the recoil and aiming characteristics of the pistol.

Barrel: The barrel is mechanically locked and has 6 lands and grooves with a right hand twist.

Multifunction element: The multifunction element is made of steel and inserted into the grip. Its principal features include the trigger and safety devices, as well as the slide catch lever and ejector.

Sights: The sights, which consist of a triangular front sight and a rear sight with trapezoid recess, are adjustable in lateral directions. White contrasting surfaces on the front and rear sight serve as additional targeting aids.

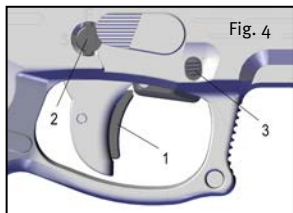
Magazine: The steel magazine features openings on both sides to determine the number of cartridges left in the magazine

Trigger system: The reset-action trigger system features a trigger safety and a drop safety. These passive safeties function automatically without the need for any action by the user. They are always on and are automatically deactivated by pulling the trigger to its rearmost position.

Standard equipment:

- 1 Pistol with magazine
- 1 Spare magazine
- 2 Keys for the integrated limited access lock
- 1 Instructions for use
- Pistol box

6. Safety features

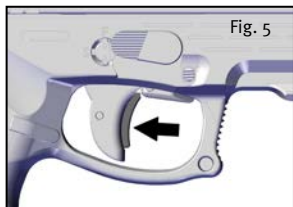


The pistol features 3 SAFETY OPTIONS.

With these safety options the user can adapt safety of the pistol to his personal requirements.

NOTE

Pistol also available without manual safety (3).



Reset action safety (1)

(Trigger, drop, and indirect firing pin safety)

These safeties will only be deactivated after having pulled the trigger thus providing for full firing readiness while ensuring optimal safety.

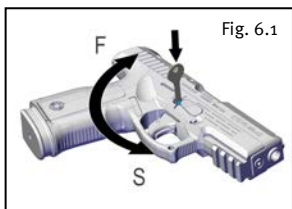


Fig. 6.1

Integrated limited access lock with key (2)

The integrated limited access lock is manually operated by using a separate key. When locked, it locks the trigger and prevents the disassembly of the pistol. The integrated limited access lock can only be locked when the pistol is cocked (trigger in the forward position).

In unlocked position



Fig. 6.2

To lock the integrated limited access lock, insert the key into the lock and press down while turning the key towards the letter “S” (Safe) on the frame. This will block the trigger system and prevent disassembly of the pistol.

In locked position

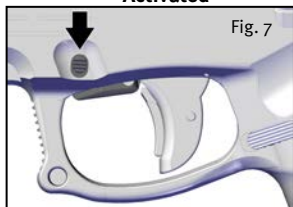


Fig. 6.3

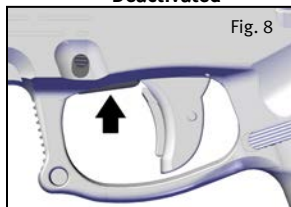
To unlock the integrated limited access lock, insert the key into the lock and press down while turning the key towards the letter “F” (Fire) on the frame.

Manual safety (3)

Activated



Deactivated



This safety can be manually activated and deactivated as required in addition to reset action safety (1). However, this safety can only be engaged after the action has been moved.

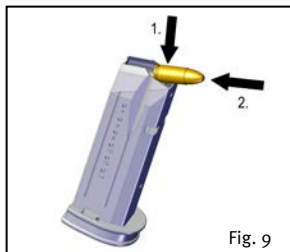
7. Loading, firing

WARNING!

Your STEYR pistol is chambered for only one specific caliber of ammunition. It is important that you only load your magazine with the specific caliber of ammunition for which your pistol is chambered. Always compare the caliber marked on the headstamp of your ammunition with the caliber marked on your pistol when loading your magazine to ensure that you use the correct caliber. If you use the wrong caliber of ammunition in your rifle, it could destroy your firearm and result in death or serious personal injury.

WARNING!

To minimize the risk of a negligent discharge, only load live ammunition into your STEYR pistol when you are ready to fire it.



Loading

To load the magazine, press each cartridge into the magazine from the front - with the cartridge bottom first - against the force of the magazine spring.



Fig. 10

Insert the magazine into the magazine well until the magazine release lock catches.

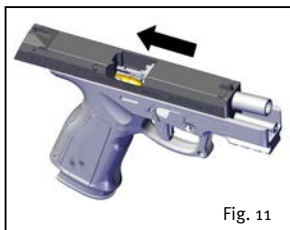


Fig. 11

If the slide is in the forward position, hold your STEYR pistol with your firing hand and, while keeping your finger off of the trigger and outside of the trigger guard, pull the slide fully back with the other hand and release it, allowing it to return to the fully forward position.

or



Fig. 12

If the slide is locked in the rearward position, either press the slide catch lever down to release the slide and return it to the fully forward position or pull the slide fully back and release it, allowing it to return to the fully forward position.

The pistol is now loaded and ready to be fired by pulling the trigger.

Firing

WARNING!

Before firing your STEYR pistol, run a clean patch through the barrel, from the chamber end, using a cleaning rod. Repeat this procedure until the patch comes out of the barrel with no gun oil or cleaner-lubricant-preservative on it.

WARNING!

Never use your STEYR pistol if it fails to function properly, and never force the slide closed on a jammed cartridge because it could cause the cartridge to explode.

WARNING!

Never pull the trigger if the slide does not fully close to prevent a possible out of battery firing. If this happens, unload the pistol as described in Chapter 8, examine the round that was in the chamber and check the chamber to ensure that there are no obstructions or debris in it.

WARNING!

Always wear safety glasses when firing your STEYR pistol to protect your eyes.

WARNING!

Always wear ear protection when firing your STEYR pistol to protect your hearing.

NOTE

If the pistol has a mechanical loaded chamber indicator, the loaded chamber indicator is visible and can be felt with the finger on the rear of the slide, when the pistol is loaded.



Fig. 13

To fire the pistol, pull the trigger to its rearmost position, using your trigger finger. This will automatically deactivate the trigger and drop safeties.



Fig. 14

After firing the last cartridge the slide will remain locked open in the rearward position.

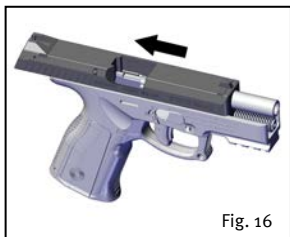
8. Unloading

WARNING!

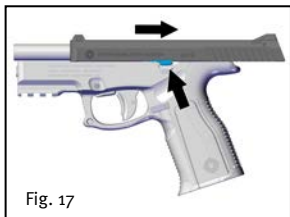
To ensure that your STEYR pistol is unloaded, you have to follow these steps in these order to ensure that there is no cartridge in the chamber when you have finished unloading.



- 1 Remove the magazine by pressing the magazine release.



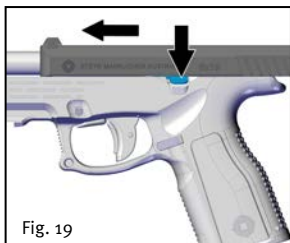
- 2 Retract the slide to eject any cartridge that may be in the chamber.



- 3 Lock the slide in the rearward (open) position by engaging the slide catch.



- 4 Visually and manually check to make sure that no cartridge remains in the chamber.



- 5 Release the slide to return it to the forward (closed) position.

Your STEYR pistol may also be unloaded when the integrated limited access safety lock is engaged.

9. Disassembly

WARNING!

Never alter or modify your STEYR pistol because this could cause it to malfunction and create a dangerous condition.

WARNING!

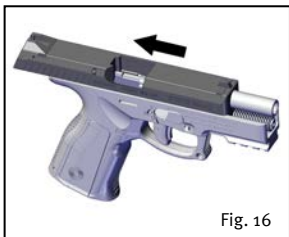
Always wear safety glasses when disassembling your STEYR pistol to protect your eyes from springs.

WARNING!

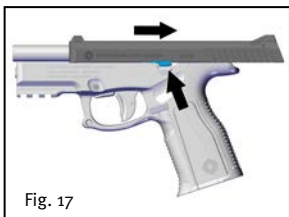
To ensure that your STEYR pistol is unloaded, you have to follow these steps in these order.



- 1 Remove the magazine by pressing the magazine release.



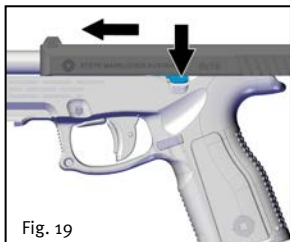
- 2 Retract the slide to eject any cartridge that may be in the chamber.



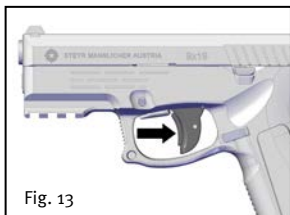
- 3 Lock the slide in the rearward (open) position by engaging the slide catch.



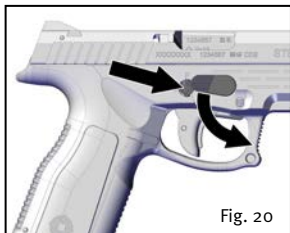
- 4 Visually and manually check to make sure that no cartridge remains in the chamber.



- 5 Release the slide to return it to the forward (closed) position.



- 6 With the muzzle of your Steyr pistol pointed in a safe direction, pull the trigger.



- 7 Press the integrated limited access lock in with the index finger of your firing hand and hold it pressed in.
- 8 Swing the disassembly lever down with the thumb of your non-firing hand.



Fig. 21

- 9 Pull the slide off of the grip frame towards the front.

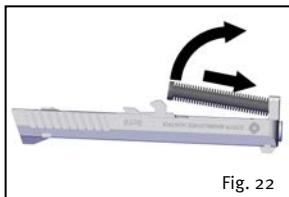


Fig. 22

- 10 Press the recoil spring toward the front of the slide while pulling it up to remove it from the slide.

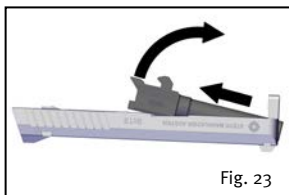


Fig. 23

- 11 Holding the barrel by the bolt lock, lift and remove it from the slide by pulling it up and back.

⚠ CAUTION!

Never further disassemble your STEYR pistol. Any further disassembly must be performed by STEYR authorized personnel.

10. Cleaning and maintenance

WARNING!

Before disassembling or cleaning the pistol, make sure that the pistol is unloaded.

WARNING!

Always wear safety glasses when cleaning your STEYR pistol to protect your eyes from cleaning materials.

WARNING!

Always make sure that no ammunition is located in the area where you clean your STEYR pistol. Cleaning solvents can affect the primer and powder in ammunition and cause it to malfunction. This could result in a bullet being pushed into the barrel of your STEYR pistol and getting stuck. Firing another round with a bullet stuck in the barrel could cause the barrel to burst and result in death or serious personal injury, in addition to damaging the pistol.

Main parts for cleaning

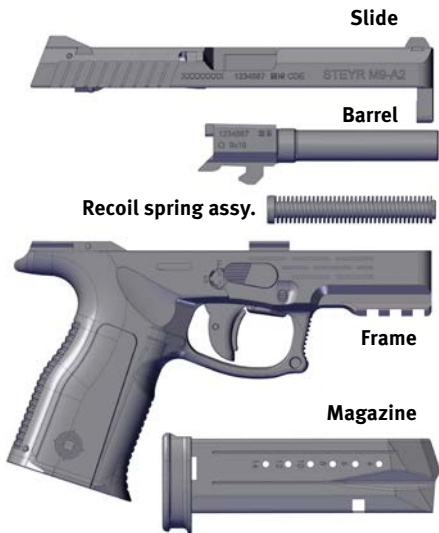


Fig. 24

Clean and lubricate the main parts of your STEYR pistol after you fire it or whenever it becomes exposed to sand, dust or water (including humidity or condensation). Proper maintenance is important to ensure that your STEYR pistol functions correctly. To clean your STEYR pistol, first disassemble it pursuant to the instructions in Chapter 9. Always use cleaning patches and brushes of the proper size for the caliber of your STEYR pistol.

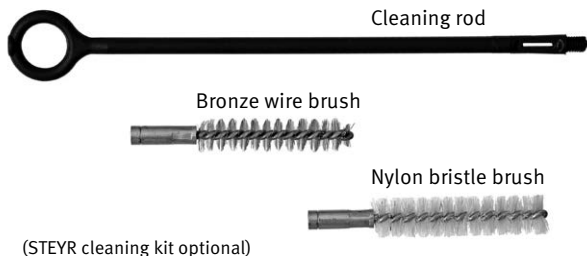


Fig. 25

After you have disassembled your STEYR pistol, clean the inside of the barrel as follows:

1. Wet a cleaning patch with a gun cleaning solvent or a cleanerlubricant- preservative and run it through the barrel, from the chamber end, several times using a cleaning rod.
2. Wet a bronze wire brush and run it back and forth in the barrel, from the chamber end, using a cleaning rod to remove any fouling and burned powder.
3. Wet another cleaning patch with a gun cleaning solvent or a cleaner- lubricant-preservative and run it through the barrel once, from the chamber end, with the cleaning rod and examine it. If it is not clean, repeat steps two and three until the patch remains clean after being run through the barrel.
4. Run a clean patch through the barrel, from the chamber end, using the cleaning rod.
5. Lightly wet a clean patch with gun oil and run it through the barrel from the chamber end.
6. Before firing your STEYR pistol, run a clean patch through the barrel, from the chamber end, using the cleaning rod. Repeat this procedure until the patch comes out of the barrel with no gun oil on it.

If you will be storing your STEYR pistol, do not perform step 6 until you are ready to fire it.

Oiling points

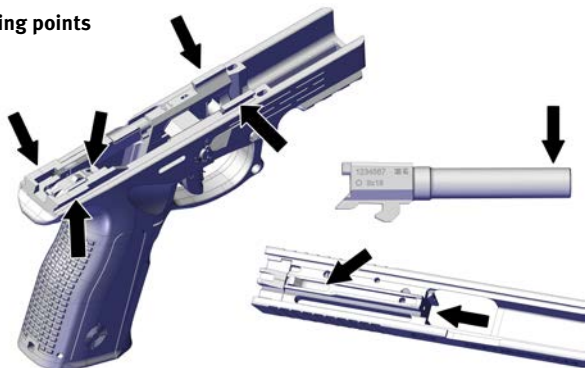


Fig. 26

Clean the slide, rails, outside of the barrel, and slide catch as follows (refer to illustrations on this page).

1. Wet a nylon bristle brush with a gun cleaning solvent or a cleaner-lubricant- preservative and thoroughly brush these areas to remove any dirt or residue.
2. Wipe the areas dry with a clean patch and examine it. If it is not clean, repeat steps one and two until the patch remains clean.
3. Apply a thin film of gun oil to the firing pin, bolt lock guides, and the outside of the front end of the barrel as shown in the above illustration.

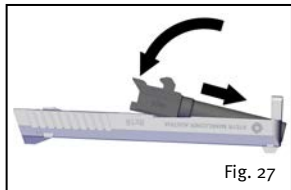
 **CAUTION!**

Do not over lubricate your STEYR pistol because too much lubricant can collect unburned powder and other debris and prevent your STEYR pistol from functioning properly.

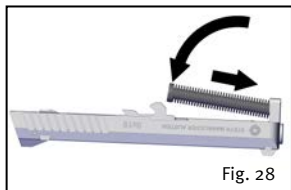
Reassemble your STEYR pistol as described in Chapter 11.

11. Reassembly

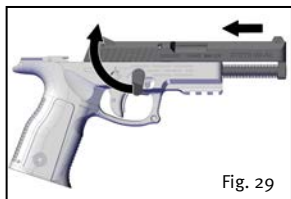
To reassemble your STEYR pistol after cleaning it, follow the instructions below.



1. Holding the barrel by the bolt lock, insert it into the slide by pushing it down and in.



2. Insert the recoil spring into the slide by pressing it down and in.



3. Push the slide onto the grip frame towards the back.
4. Swing the disassembly lever back up.

12. Individual adjustment of the grip



Fig. 30

The new STEYR ARMS pistol grip can be individually adapted to the shooter's hand by replacing the exchangeable backstrap and the grip panels.

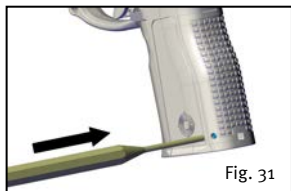


Fig. 31

Changing the backstrap and the grip panels

1. Push through the pin with the pin punch 3 mm.



2. Swing the backstrap off.



3. Pull out the left and the right grip panels.



4. Position the left and the right grip panels in the size you need.



5. Position the backstrap in the size you need.



6. Fix the backstrap with the pin.

13. Dealing with stoppages

If the STEYR pistol is kept clean and given proper care, it will function very reliably. Nevertheless, if jam occurs, follow this procedure:

1. Keep the STEYR pistol pointed in a safe direction.
2. Remove the magazine.
3. Pull back slide entirely, in order to throw out jammed cartridge.
4. Be sure there is no obstruction in the barrel before attempting to chamber another cartridge.
5. Release slide. The slide jumps freely forward.
6. Insert magazine.
7. Load again and continue shooting.

No.	Nature of blockage	Cause	Remedy
1	Failure to feed the cartridge	Magazine is inserted incorrectly	Release magazine, insert again until magazine release locks audibly
		Damaged magazine	Inspect magazine and change if necessary
		Soiled magazine	Clean magazine
		Defective or soiled cartridge	Eject cartridge, clean chamber
		Soiled Chamber	Clean chamber
		Underpowered ammunition	Change ammunition
2	Barrel / slide does not lock completely	Soiled chamber, slide or barrel	Clean chamber, slide or barrel
		Defective cartridge (bent or too long)	Change cartridge
		Weak recoil spring	Replace recoil spring assembly
3	Cartridge did not ignite	Slide out of battery	Clean slide
		Defective cartridge Primer punctured: misfire	Wait 1 minute in firing position, unload, then reload a new cartridge
		Firing pin defective or broken (primer not or insufficiently punctured)	Wait 1 minute in firing position, unload. Replacement of firing pin by a qualified gunsmith only.
		Weak firing pin spring (primer not or insufficiently punctured)	Wait 1 minute in firing position, unload. Replacement of firing pin spring by a qualified gunsmith only.

No.	Nature of block-age	Cause	Remedy
4	Cartridge case is not extracted	Extractor defective (worn, broken)	Replacement of extractor by a qualified gunsmith only.
		Defective ammunition	Change cartridge
		Overpowered or under-powered ammunition	Change ammunition
		Soiled chamber	Clean chamber
	Cartridge case is extracted, but ejected faulty (stove pipes) or not at all	Lack of lubrication	Lubricate the pistol as described in point 7. table of contents
5	Trigger will not release		Contact a qualified gunsmith.
6	Trigger does not reset		Contact a qualified gunsmith.
7	Slide does not lock open on last round	Weak magazine spring	Change magazine spring or magazine

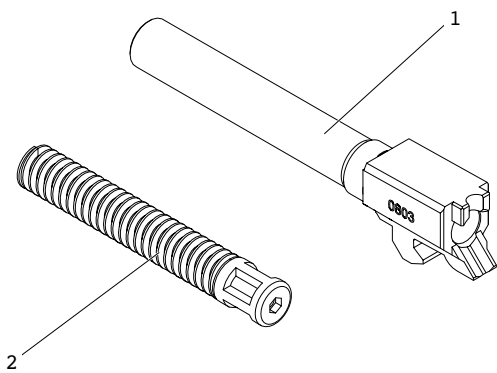
14. Warranty clauses

Any disassembly of the pistol by the purchaser or third parties beyond that described in these Instructions for Use resulting in damage or functional failure due to inexpert handling or incomplete reassembly and with consequential failure of safety devices will invalidate any guarantee and liability claims of the purchaser for resulting material damage or personal injuries.

Any modification of the basic design will automatically invalidate any guarantee claims. Any manipulation on the safety devices and any use thus manipulated are strictly prohibited for safety reasons.

The manufacturer cannot accept any kind of guarantee claims resulting from the use of handloaded, faulty or improperly manufactured ammunition.

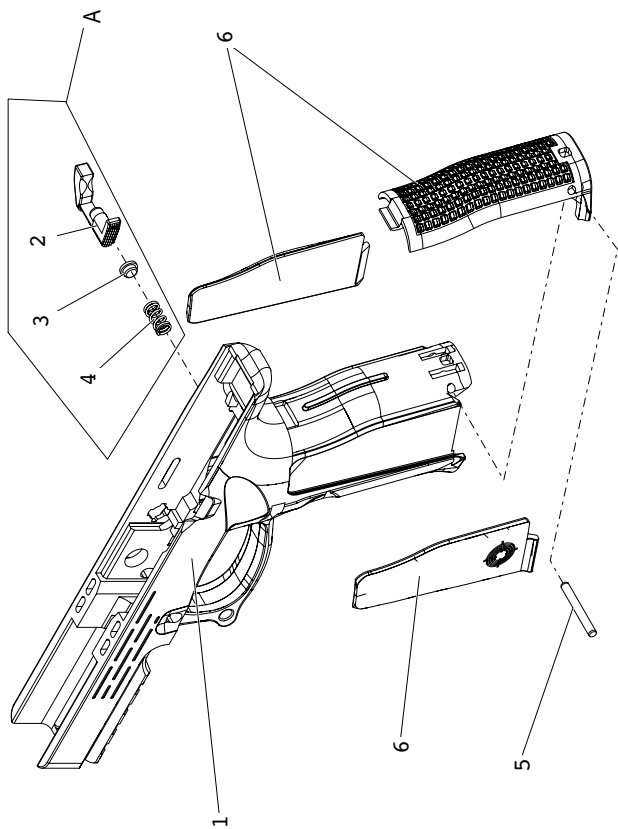
Similarly, the manufacturer refuses any kind of guarantee claims resulting from failure to strictly follow the instructions included in the Owner's Manual - Instruction for use.



15. Parts list

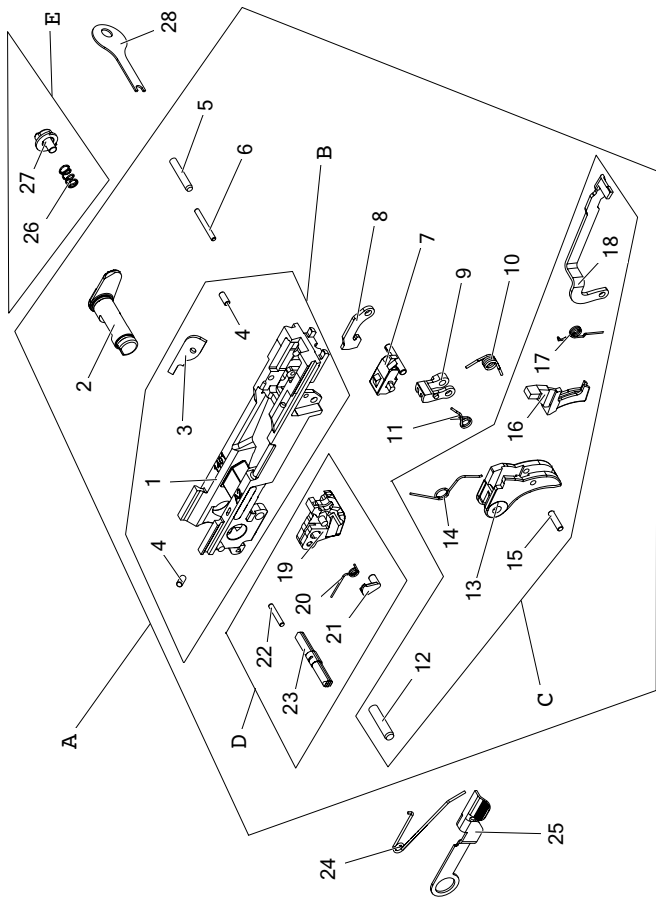
Group barrel and recoil spring

Item	Denomination	Quantity
1	BARREL L 9x19 115MM	
1	BARREL M 9x19 102MM	
1	BARREL C 9x19 92MM	
1	BARREL L 40S&W 115MM	
1	BARREL M 40S&W 102MM	
1	BARREL C 40S&W 96MM	
1	RECOIL SPRING ASSEMBLY L 9x19	
1	RECOIL SPRING ASSEMBLY L 40S&W	
1	RECOIL SPRING ASSEMBLY M	
1	RECOIL SPRING ASSEMBLY C	



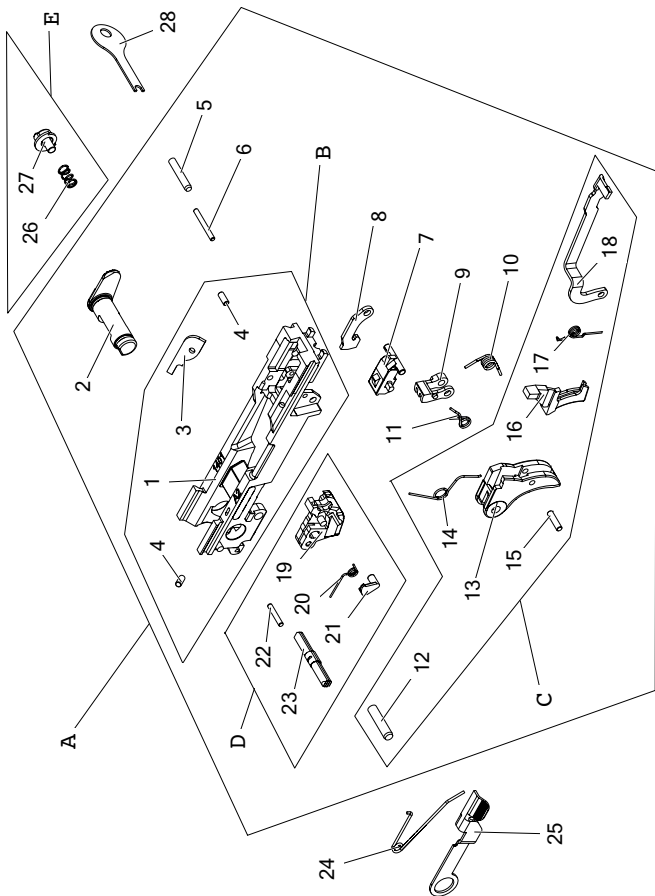
Group grip

Item	Denomination	Quantity
A	SET MAGAZINE RELEASE, CHANGEABLE	
1	FRAME A2-L w.m.S / RAL 9011	1
1	FRAME A2-M w.m.S / RAL 9011	1
1	FRAME A2-C w.m.S / RAL 9011	1
1	FRAME A2-L wo.m.S / RAL 9011	1
1	FRAME A2-M wo.m.S / RAL 9011	1
1	FRAME A2-C wo.m.S / RAL 9011	1
2	MAGAZINE RELEASE, CHANGEABLE	1
3	MAGAZINE RELEASE REST	1
4	SPRING	1
5	CYLINDER PIN 3X26	1
6	SET PISTOL GRIP, 7 PIECES	1

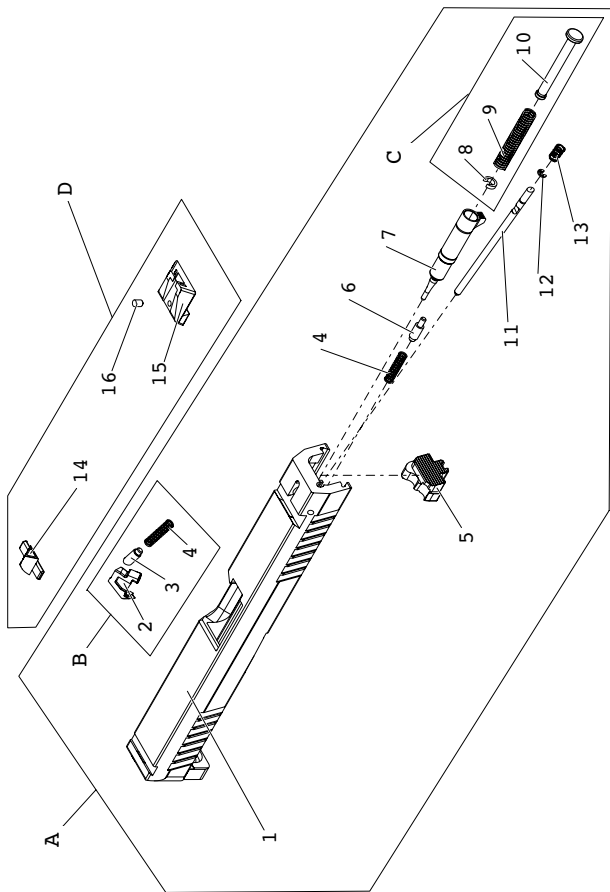


Group multifunktion element

Item	Denomination	Quantity
A	SET MULTIFUNKTION ELEMENT A2 w.m.S	
A	SET MULTIFUNKTION ELEMENT A2 wo.m.S	
B	MULTIFUNKTION ELEMENT A2 WITH EJECTOR	
C	SET TRIGGER 1.5	
D	MANUAL SAFETY, ASSEMBLY (OPTIONAL)	
E	KEY LOCK, ASSEMBLY	
E	KEY LOCK, ASSEMBLY, HANDCUFF	
1	SLIDE GUIDE A2 w.m.S	1
2	DISASSEMBLY LEVER	1
3	EJECTOR PISTOL A2	1
4	COILED SPRING PIN 2,5X6	2
5	CYLINDER PIN 3X18	1
6	CYLINDER PIN 2X18	1
7	CATCH	1
8	DROP SAFETY	1
9	LEVER	1
10	LEVER SPRING	1
11	CATCH SPRING	1
12	CYLINDER PIN 4X18	1
13	TRIGGER	1
14	TRIGGER SPRING	1
15	COILED SPRING PIN 2,5X10	1
16	TRIGGER SAFETY	1
17	TRIGGER BAR SPRING	1
18	TRIGGER BAR	1
19	MANUAL SAFETY	1
20	MANUAL SAFETY SPRING	1
21	MANUAL SAFETY LEVER	1
22	CYLINDER PIN 2X12	1

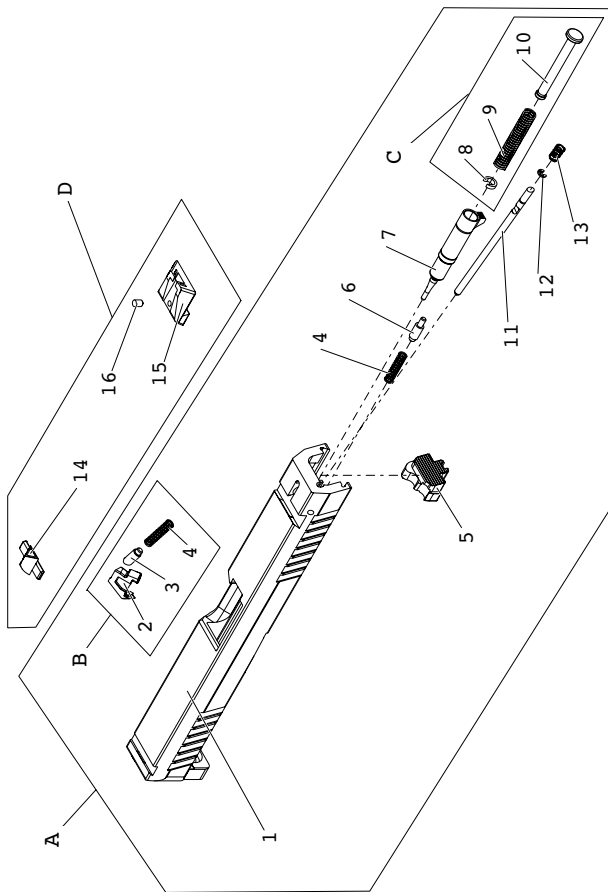


Item	Denomination	Quantity
23	MANUAL SAFETY ROD	1
24	SLIDE CATCH SPRING	1
25	SLIDE CATCH	1
26	KEY LOCK SPRING	1
27	KEY LOCK	1
27	KEY LOCK HANDCUFF	
28	KEY	1

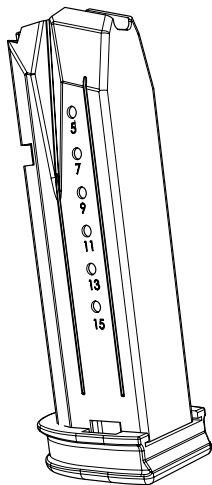


Group slide

Item	Denomination	Quantity
A	SET SLIDE L, CALIBER 9X19	
A	SET SLIDE M, CALIBER 9X19	
A	SET SLIDE C, CALIBER 9X19	
A	SET SLIDE L, CALIBER 40S&W	
A	SET SLIDE M, CALIBER 40S&W	
A	SET SLIDE C, CALIBER 40S&W	
B	SET EXTRACTOR, CALIBER 9X19	
B	SET EXTRACTOR, CALIBER 40S&W	
C	FIRING PIN SPRING GUIDE SUB-ASSY., STANDARD	
C	FIRING PIN SPRING GUIDE SUB-ASSY., REINFORCED	
D	SET TRIANGULAR SIGHT	
D	SET MATCH SIGHT	
D	SET TRITUM SIGHT	
D	SET RECTANGULAR SIGHT	
1	SLIDE L, CALIBER 9X19	1
1	SLIDE M, CALIBER 9X19	1
1	SLIDE C, CALIBER 9X19	1
1	SLIDE L, CALIBER 40S&W	1
1	SLIDE M, CALIBER 40S&W	1
1	SLIDE C, CALIBER 40S&W	1
2	EXTRACTOR A2 PISTOL, CALIBER 9X19	1
2	EXTRACTOR PISTOL, CALIBER 40S&W	1
3	EXTRACTOR PIN	1
4	EXTRACTOR SPRING	2
5	SLIDE PLATE, STANDARD	1
5	SLIDE PALTE, LOADED CHAMBER INDICATOR	1
6	SLIDE PLATE PIN	1
7	FIRING PIN	1
8	FIRING PIN SPRING WASHER	1



Item	Denomination	Quantity
9	FIRING PIN SPRING, STANDARD	1
9	FIRING PIN SPRING, REINFORCED	1
10	FIRING PIN SPRING GUIDE	1
11	LOADED CHAMBER INDICATOR, ONLY MODEL L	1
12	RETAINING WASHER, ONLY MODEL L	1
13	LOADED CHAMBER INDICATOR SPRING, ONLY MODEL L	1
14	FRONT SIGHT, TRIANGULAR	1
14	FRONT SIGHT, MATCH	1
14	FRONT SIGHT, TRITUM	1
14	FRONT SIGHT, RECTANGULAR	1
15	REAR SIGHT, TRIANGULAR	1
15	REAR SIGHT, MATCH	1
15	REAR SIGHT, TRITUM	1
15	REAR SIGHT, RECTANGULAR	1
16	GRUB SCREW M3X3	1



Group magazine

Item	Denomination	Quantity
A	MAGAZINE 17 RDS, KALIBER 9X19	
A	MAGAZINE 10 RDS, KALIBER 9X19	
A	MAGAZINE 15 RDS, KALIBER 40S&W	
A	MAGAZINE 10 RDS, KALIBER 40S&W	

Notes

Notes

Notes

 VORSICHT!

Der Text nach dem Signalwort **Vorsicht** enthält Informationen, die beachtet werden müssen, um den Schützen vor Schaden zu bewahren.

 ACHTUNG!

Der Text nach dem Signalwort **Achtung** enthält Informationen, die beachtet werden müssen, um Schaden an der Waffe zu verhindern.

Bestimmungsgemäße Verwendung

Verwenden Sie STEYR ARMS Produkte ausschließlich entsprechend den jeweiligen waffenrechtlichen nationalen Bestimmungen. Eine andere oder darüber hinausgehende Benutzung gilt als nicht bestimmungsgemäß. Zur bestimmungsgemäßen Verwendung gehört auch das Einhalten der Hinweise der Betriebsanleitung in Bezug auf Sicherheit, Betrieb, Instandhaltung und Wartung. Für aus nicht bestimmungsgemäßer Verwendung resultierende Schäden haftet allein der Benutzer. Dies gilt auch für eigenmächtige und unsachgemäße Veränderungen an der Waffe.

Vorwort

Diese Betriebsanleitung und die darin enthaltenen Warnhinweise müssen vor Inbetriebnahme und Einsatz des Produkts unbedingt gelesen und verstanden werden. Sie macht den Benutzer mit der Funktion und Handhabung der Waffe vertraut und enthält Warnungen vor möglichen Gefahren, die durch falsche Bedienung oder Handhabung auftreten und zu Unfällen oder Verletzungen führen können. Diese Betriebsanleitung sollte immer mit der Waffe mitgeführt werden. Dies gilt auch für den Besitzerwechsel oder sonstige Überlassung.

Diese Betriebsanleitung stellt keinen Ersatz für eine Sicherheitsschulung im Umgang mit einer Waffe dar!

Betriebsanleitung

STEYR Pistole L-A2 MF, M-A2 MF, C-A2 MF

Werter Kunde,

durch den Erwerb einer STEYR ARMS Waffe besitzen Sie ein Produkt, das höchsten Ansprüchen gerecht wird. Die Waffe wurde den zeitgemäßen Anforderungen entsprechend, entwickelt. Beste Schussleistung, höchste Qualität, Bedienungsfreundlichkeit sowie maximale Sicherheit des Schützen und lange Lebensdauer waren die Parameter, die es bei dieser Neuentwicklung zu erfüllen galt. Durch unser angewandtes Qualitätssicherungssystem haben Sie Garantie darüber, ein ausgezeichnetes Markenprodukt erworben zu haben.

Copyright STEYR ARMS GmbH
Alle Rechte vorbehalten.

Normen und Zertifikate

STEYR ARMS ist entsprechend der EN ISO 9001: 2015 zertifiziert.

DNV·GL

MANAGEMENT SYSTEM ZERTIFIKAT

Zertifikat-Nr. : 115208-2012-AQ-GER-DAKS	Datum der Erstzertifizierung: 23. Juni 2003	Gültig: 27. August 2018 - 26. August 2021
---	--	--

Hiermit wird bescheinigt, dass das Unternehmen

Steyr Mannlicher GmbH & Co.KG
Ramtingtal 46, 4442 Ramtingtal 46, Österreich



**STEYR
MANNLICHER**
COUNT ON IT

ein Qualitäts-Managementsystem in Übereinstimmung mit dem folgenden Standard eingeführt hat und anwendet:

ISO 9001:2015

Dieses Zertifikat ist gültig für die folgenden Produkt- oder Dienstleistungsbereiche:

Entwicklung, Herstellung und Vertrieb von Jagd- und Behördenwaffen

Ort und Datum:
Essen, 23. August 2018





DAKS
Deutsche
Akkreditierungsstelle
D-ZM-18453-01-00

Zertifizierungsstelle:
DNV GL - Business Assurance
Scheringhof 14, 45329 Essen, Germany



Thomas Beck
Leiter Zertifizierungsstelle

Bei Vorstell gegen die im Zertifizierungsvertrag genannten Bedingungen kann das Zertifikat seine Gültigkeit verlieren.
DAKS: 0207 257 71 01/02 | DNV GL Business Assurance: Zertifizierung und Umweltgutachter GmbH, Scheringhof 14, 45329 Essen, Germany
Tel: +49 201 1206-122 | www.dnv-gl.de/en/naas

Inhaltsverzeichnis

1. Besondere Maßregeln und Warnhinweise	5
2. Allgemeine Beschreibung	13
3. Technische Beschreibung	16
4. Hauptgruppen	19
5. Hauptmerkmale	20
6. Sicherungseinrichtungen	22
7. Laden, Schussabgabe	25
8. Entladen	29
9. Zerlegen	31
10. Reinigung	35
11. Zusammenbau	40
12. Individuelles Anpassen des Griffes	41
13. Behebung von Störungen	44
14. Gewährleistung	47
15. Ersatzteilliste	49

1. Besondere Maßregeln und Warnhinweise

VORSICHT!

Bei Nichtbeachtung der in dieser Betriebsanleitung beschriebenen Sicherheitsbestimmungen, unachtsamer oder falscher Handhabung der Waffe, kann es zu einer unbeabsichtigten Schussabgabe, Sachschäden und Verletzungen, unter Umständen mit tödlichem Ausgang, führen.

VORSICHT!

Die Dienstvorschriften von Polizeieinheiten oder des Militärs können mehrere der folgenden Sicherheitshinweise oder Vorgehensweisen übersteigen. Um die sichere Handhabung der Waffe trotzdem zu gewährleisten während in einer höheren Stufe der Bereitschaft gearbeitet wird, sind eine ordnungsgemäße und gezielte Ausbildung im sicheren Umgang mit STEYR ARMS Waffen und regelmäßiges Training in einem angemessenem Umfang, welche sicheres und taktisches Vorgehen garantieren, erforderlich.

VORSICHT!

Lesen Sie vor dem ersten Handhaben der Waffe die vorliegende Betriebsanleitung sorgfältig durch. Sie enthält grundlegende Hinweise hinsichtlich Funktion und richtiger Handhabung der Waffe. Beachten Sie bitte immer, dass Ihre eigene Sicherheit und auch die Sicherheit anderer davon abhängen kann, dass Sie diese Sicherheitsbestimmungen genau befolgen und beim Umgang mit Ihrer Waffe immer die Grundsätze für eine sichere Handhabung befolgen und einhalten.

Hinweis: Falls Sie im Umgang mit Waffen nicht vertraut sein sollten, besuchen Sie einen entsprechenden Lehrgang. Solche Lehrgänge werden vom Waffenhandel, lizenzierten Trainern usw. angeboten.

 VORSICHT!

Die Waffe ist ausschließlich zum Gebrauch mit nach internationaler Norm (z.B.: STANAG, MIL-STD, SAAMI, CIP,...) serienmäßig hergestellten, hochwertigen Originalpatronen bestimmt. Die Verwendung selbstgeladener, neuerlich geladener, "umgearbeiteter" oder nicht handelsüblicher Munition kann schwere Störungen zur Folge haben, die sowohl für den Schützen als auch für andere ein Sicherheitsrisiko darstellen und die Waffe beschädigt werden kann.

 VORSICHT!

Es besteht die Möglichkeit, dass sich noch eine Patrone im Patronenlager befindet, wenn ein geladenes oder leeres Magazin abgenommen oder eingesetzt wird. Falls sich eine Patrone im Patronenlager befindet, wird diese bei Betätigen des Abzuges mit eingesetztem oder abgenommenem Magazin gezündet. Der Benutzer darf die Waffe daher nie unbeaufsichtigt lassen. Selbst wenn das Magazin abgenommen wurde, muss die Waffe mit besonderer Vorsicht gehandhabt werden. Der Benutzer muss sich vor dem Zerlegen zur Reinigung oder zu einem anderen Zweck persönlich überzeugen, dass sich keine Patrone im Patronenlager befindet.

Sicherheitsbestimmungen

Sie mögen ein erfahrener Schütze sein, der mit den in dieser Betriebsanleitung beschriebenen Handgriffen bereits vertraut ist. Es könnte aber auch sein, dass Sie bisher noch keine Erfahrung im Umgang mit Waffen haben. Wir bitten Sie jedoch in jedem Fall die Betriebsanleitung in vollem Umfang durchzulesen. Die darin beschriebenen Sicherheitsbestimmungen müssen in jedem Fall zu ihrer eigenen Sicherheit und zur Sicherheit anderer unbedingt befolgt werden.

 VORSICHT!

STEYR ARMS Waffen verfügen über verschiedene eingebaute Vorrichtungen und mechanische Sicherungen, die eine ungewollte Schussabgabe mit der Waffe durch unbeabsichtigtes Fallenlassen, durch einen Schlag auf die Mündung, den Vorder- oder Hinterteil der Waffe verhindern sollen. Zur Vermeidung der Gefahr möglicher Unfälle ist daher für den Benutzer unter allen Umständen größtmögliche Vorsicht und eine genaue Befolgung und Beachtung der Sicherheitsbestimmungen und anderer Verhaltensregeln in dieser Betriebsanleitung geboten. Wie bei jedem anderen mechanischen Gerät kann es unter extremen Bedingungen oder bei Einwirkung extremer Kräfte, welche unter normalen Umständen nicht auftreten, zu einem teilweisen Versagen oder einer Fehlfunktion kommen. Die richtige und sichere Funktion dieser Waffe kann nur unter der Voraussetzung gewährleistet werden, dass keine Teile verändert oder modifiziert werden und die Waffe nur für die vorgesehenen Zwecke verwendet wird.

 VORSICHT!

Falls eine der Sicherheitsvorrichtungen der Waffe aus irgendeinem Grund nicht funktionsfähig sein sollte, besteht die GEFAHR einer unbeabsichtigten Lösung eines Schusses. Die Waffe muss in einem solchen Fall sofort entladen und für jeden weiteren Gebrauch gesperrt werden. Stellen sie vor einem weiteren Einsatz ihrer Waffe sicher, dass diese durch einen von STEYR ARMS autorisierten Büchsenmacher entsprechend instandgesetzt und geprüft wurde!

Allgemeine Vorsichtsmaßnahmen

- 1 Handhaben Sie ihre Waffe immer so, als ob sie geladen wäre; auf diese Weise kann eine ungewollte Schussabgabe verhindert werden.
- 2 Richten Sie die Waffe niemals auf ein Ziel, das Sie nicht beschießen wollen.
- 3 Vertrauen Sie nie darauf, dass eine Waffe ungeladen ist. Überzeugen Sie sich selbst durch öffnen des Verschlusses und Kontrolle des Patronenlagers.
- 4 Überzeugen Sie sich immer, dass Lauf und Verschluss frei von Hindernissen (Schadhafter Munition, Geschosstecker) sind. Etwaige Hindernisse sind sofort zu beseitigen, um die richtige und sichere Funktion der Waffe sicherzustellen. Jegliches Hindernis in der Laufbohrung kann zu einer Zerstörung der Waffe, zu schweren Verletzungen oder zum tödlichen Ausgang für den Schützen oder Personen, welche sich neben der Waffe befinden, führen.
- 5 Betätigen Sie den Abzug niemals, bevor Sie nicht die Mündung auf das von Ihnen gewählte Ziel gerichtet haben und Sie beschlossen haben einen Schuss abzugeben.
- 6 **Aufbewahrung:**
Aufbewahrung: Entladen Sie die Waffe wie in Kapitel 9 beschrieben. Bewahren Sie die Waffe im entspannten Zustand auf (siehe Kapitel 12).
- 7 Schießen Sie nie auf harte Oberflächen wie Steine oder Felsen oder auf die Oberfläche einer Flüssigkeit wie etwa Wasser. Das Geschoss könnte durch den Abprall in eine ungewollte Richtung gelenkt werden und Sie selbst oder ein anderes, von ihnen nicht einsehbares Ziel treffen.
- 8 Bevor Sie eine Schießübung beginnen, überzeugen Sie sich immer, dass ein geeigneter Kugelfang für Ihre Geschosse vorhanden ist, damit Sie keine Ziele außerhalb des Schießstandes treffen.

- 9 Überzeugen Sie sich bevor Sie einen Schuss abfeuern immer, dass Sie ihr Ziel und das dahinter liegende Gelände genau kennen. Ein Geschoss könnte das Ziel durchschlagen oder es verfehlen und je nach Kaliber mehrere Kilometer weit fliegen. Feuern Sie keinen Schuss ab, wenn Sie nicht absolut sicher sind, dass Sie einen geeigneten Kugelfang haben.
- 10 Falls Sie auf einem Schießstand eine Schießübung in Gruppen veranstalten, beauftragen Sie immer eine verantwortungsbewusste und zuverlässige Person damit, für entsprechende Disziplin und ausreichende Sicherheitskontrollen zu sorgen, um so die Gefahr von Unfällen zu vermeiden.
- 11 Tragen Sie auf einem Schießstand Ihre Waffe immer solange in ungeladenem und offenen Zustand, bis Sie mit den Vorbereitungen für die Schussabgabe beginnen. Richten Sie die Mündung beim Laden, Abfeuern und Entladen immer auf das Ziel.
- 12 Verwenden Sie ihre Waffe niemals, nachdem Sie eine Fehlfunktion festgestellt haben, und versuchen Sie niemals einen klemmenden Verschluss mit Gewalt zu öffnen oder zu schließen, da dabei die festgeklemmte Patrone gezündet werden könnte.
- 13 Transportieren Sie ihre Waffe immer im ungeladenen Zustand mit aktiver Sicherung.
- 14 **Fehler beim Abfeuern:**
Im Falle eines Zündversagers halten Sie die Mündung immer auf das Ziel gerichtet und warten Sie 60 Sekunden. Falls ein Zündungsdefekt (Langsame Zündung) aufgetreten ist, wird der Schuss innerhalb von 60 Sekunden abgefeuert. Falls der Schuss nicht abgefeuert wird, Magazin entfernen, Patrone auswerfen und Rand überprüfen. Falls die Einschlagkerbe des Schlagstiftes am Rand nur gering ist oder sich gar keine Einschlagkerbe erkennen lässt, ist die Waffe von einem autorisierten Büchsenmacher überprüfen zu lassen. Falls die Einschlagkerbe des Schlagstiftes am Rand normales Aussehen hat (im Vergleich zu ähnlichen zuvor abgefeuerten Patronen) ist ein Munitionsfehler anzunehmen. In diesem Fall ist die Patrone auszusondern, und es kann eine neue Patrone geladen und

das Schießen fortgesetzt werden.

Hinweis: Defekte Munition ist gemäß den Richtlinien des Munitionsherstellers zu entsorgen.

- 15 Feuern Sie ihre Waffe niemals in der Nähe eines Tieres ab, das nicht an das Schussgeräusch gewöhnt ist. Das Tier könnte sich durch die Schreckreaktion verletzen oder einen Unfall verursachen. Ebenso kann das Tier einen Gehörschaden erleiden.
- 16 Der Konsum von Alkohol und Drogen ist vor oder während des Schießens unbedingt zu vermeiden, da Alkohol und Drogen Ihr Seh- und Urteilsvermögen stark beeinträchtigen und so zu Gefahren bei der Handhabung der Waffe führen können.
- 17 Falls Sie Medikamente verwenden, fragen sie immer Ihren Arzt um Rat, ob durch diese Medikamente Ihre Fähigkeit, die Waffe sicher abzufeuern und zu handhaben, beeinträchtigt sein könnte.
- 18 Tragen Sie beim Schießen immer einen geeigneten Gehörschutz, vor allem am Schießstand. Ohne Gehörschutz kann das Schussgeräusch Ihrer eigenen Waffe und anderer in Ihrer unmittelbaren Nähe abgefeuerter Waffen zu einem einige Zeit anhaltenden „Rauschen“ im Ohr und langfristig zu bleibenden Gehörschäden führen.
- 19 Tragen Sie zum Schutz ihrer Augen immer eine Schutzbrille.
- 20 Bevor Sie die Waffe reinigen, mit ihr verreisen oder einer anderen Person übergeben, überzeugen Sie sich immer, dass die Waffe entladen ist.
- 21 Halten Sie sich und andere Personen von der Auswurföffnung der Waffe fern, da die leeren Patronenhülsen beim Auswerfen zu Verletzungen führen könnten. Legen Sie ihren Finger niemals in die Auswurföffnung oder auf den betriebswarmen Verschluss und Lauf, da das heiße Metall zu Verbrennungen führen könnte.

- 22 Verwenden Sie nur im Handel erhältliche Qualitätsmunition in einwandfreiem Zustand und in dem für ihre Waffe vorgesehenen Kaliber. Bei Verwendung von nach- oder selbstgeladener Munition erlöschen alle Garantieansprüche, da es nicht möglich ist die Einhaltung der Qualitätsstandards (z.B.: CIP/SAAMI/NATO) zu garantieren.
- 23 Betätigen Sie niemals den Abzug wenn sich eine Patrone im Patronenlager befindet, solange der Verschluss nicht vollständig verriegelt ist.
- 24 Schießen Sie niemals ohne montierter und justierter Visiereinrichtung.
- 25 Knallpatronen dürfen nicht auf Personen oder Objekte gefeuert werden welche näher als 33ft. / 10m von der Mündung entfernt sind; Innerhalb dieses Bereiches können durch den hohen Gasdruck oder unverbranntem Treibmittel schwere Verletzungen oder Beschädigungen verursacht werden.

 **VORSICHT!**

Um die Gefahr einer unbeabsichtigten Schussabgabe (und damit Personen- und Sachschäden) zu vermeiden, sollte scharfe Munition erst unmittelbar vor dem Abfeuern der Waffe geladen werden.

Besondere Vorsichtsmaßnahmen in Bezug auf Kinder und unbefugte Personen

- 1 Bewahren Sie ihre Waffe und die Munition immer so auf, dass unbefugte Personen, vor allem Kinder, keinen Zugang dazu haben.
- 2 Lehren Sie den Kindern immer einen vorsichtigen und respektvollen Umgang mit Waffen.
- 3 Umgang mit Waffen. Lassen Sie ihre Waffe nie unbeaufsichtigt. Unbefugte Personen, vor allem Kinder, könnten die Waffe für ein Spielzeug halten und sie abfeuern.

Besondere Warnhinweise in Bezug auf Voll- und Halbautomatische Waffen

- 1 Legen Sie Ihre Finger nie in die Auswurföffnung oder in dessen Nähe. Ihre Finger könnten von dem Verschluss, wenn sich dieser nach vorne oder hinten bewegt, oder den Hülsen wenn diese ausgeworfen werden, verletzt werden.
- 2 Achten Sie, wenn Sie eine Pistole abfeuern wollen, darauf, dass der Bereich hinter dem Verschlusskörper frei ist (achten sie auf ihren Daumen), da der Verschluss nach der Schussabgabe zurück-schnellt.
- 3 Feuere die Pistole niemals in Körperrnähe ab, da der Verschlusskörper beim Abfeuern zurück schnell und Sie verletzen könnte.

2. Allgemeine Beschreibung

Die STEYR Selbstladepistolen sind mechanisch verriegelte Rückstoßlader und insbesondere gekennzeichnet durch:

- **Kompakte Abmessungen,**
- **Ergonomisch ausgeformtes Griffstück aus Kunststoff,**
- **„Reset Action“ Abzugssystem,**
- **Individuell wählbarer Sicherungszustand,**
- **Ladestandsanzeiger,**
- **Dreieck / Trapez - Visierung**

STEYR PISTOLE

DEUTSCH

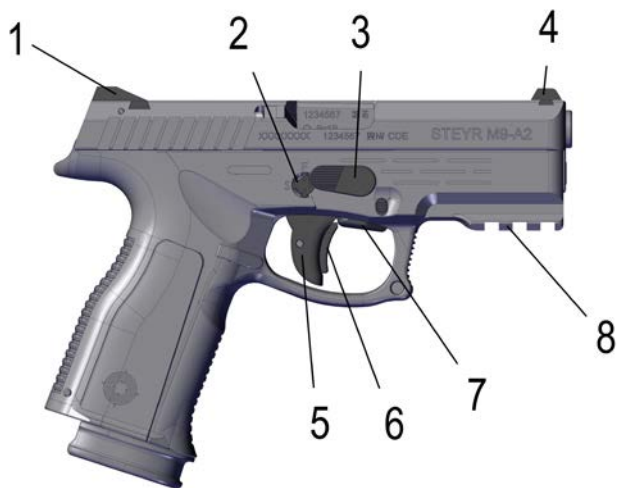


Abb. 1

- | | | | |
|---|--------------------------|---|-------------------------------|
| 1 | Kimme | 5 | Abzug |
| 2 | Schlüsselfunktionssperre | 6 | Abzugsicherung |
| 3 | Zerlegehebel | 7 | Manuelle Sicherung (optional) |
| 4 | Korn | 8 | Aufnahme für Zubehör |

STEYR PISTOLE

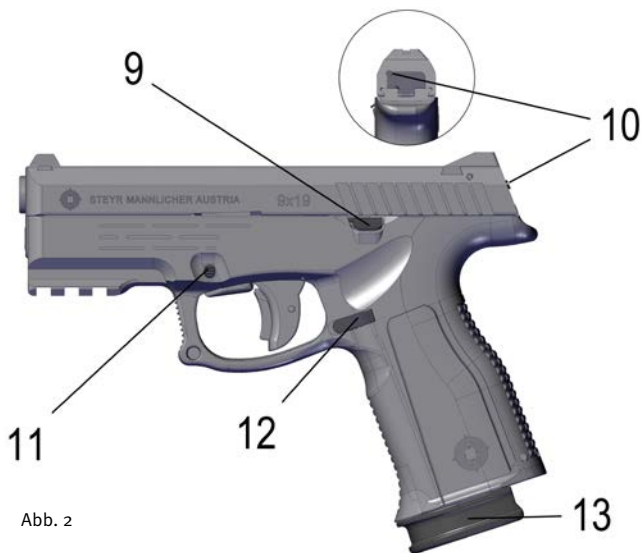


Abb. 2

- | | | |
|----|---------------------------------------|------------------|
| 9 | Verschlussfang | rung (optional) |
| 10 | Ladestandanzeiger
(nur L-Variante) | 12 Magazinhalter |
| 11 | Stange zu manueller siche- | 13 Magazin |

3. Technische Beschreibung

	L9 - A2	L40 - A2
Kaliber	9 x 19 mm	40 S&W
Magazin Kapazität	17	15
Gewicht (mit leerem Magazin)	27.76 oz / 790 g (mit 17 Schuss Magazin)	28.26 oz / 801 g (mit 15 Schuss Magazin)
Gewicht des leeren Magazins	3.14 oz / 89 g	3.00 oz / 85 g
Gesamtlänge	7.9" / 200,5 mm	7.9" / 200,5 mm
Gesamthöhe	5.59" / 142 mm (mit 17 Schuss Magazin)	5.59" / 142 mm (mit 15 Schuss Magazin)
Gesamtbreite	1.3" / 33 mm	1.3" / 33 mm
Visierlänge	6.7" / 170 mm	6.7" / 170 mm
Lauflänge	4.53" / 115 mm	4.53" / 115 mm
Laufprofil	6 Züge und Felder, Rechtsdrall	6 Züge und Felder, Rechtsdrall
Abzugssystem	Reset action system (spezielles double action system)	Reset action system (spezielles double action system)
Abzugsweg	0.15" / 4 mm	0.15" / 4 mm
Abzugsgewicht	5.51 lb / ~ 2,5 kg	5.51 lb / ~ 2,5 kg
Reset Action Sicherungen	Automatische Abzugs- und Fallsicherung	Automatische Abzugs- und Fallsicherung
Manuelle Sicherung	optional	optional
Ladezustand-Anzeige mechanisch	optional	optional
Ladezustand-Anzeige optisch	✓	✓
Integrierte Schlüsselfunktionssperre	✓	✓

Technische Änderungen vorbehalten!

	M9 - A2	M40 - A2
Kaliber	9 x 19 mm	40 S&W
Magazin Kapazität	17	15
Gewicht (mit leerem Magazin)	27.02 oz / 780 g	27.31 oz / 791 g
Gewicht des leeren Magazins	3.14 oz / 89 g	3.00 oz / 85 g
Gesamtlänge	7.36" / 187 mm	7.36" / 187 mm
Gesamthöhe	5.59" / 142 mm (mit 17 Schuss Magazin)	5.59" / 142 mm (mit 15 Schuss Magazin)
Gesamtbreite	1.3" / 33 mm	1.3" / 33 mm
Visierlänge	6.22" / 158 mm	6.22" / 158 mm
Lauflänge	4.01" / 102 mm	4.01" / 102 mm
Laufprofil	6 Züge und Felder, Rechtsdrall	6 Züge und Felder, Rechtsdrall
Abzugssystem	Reset action system (spezielles double action system)	Reset action system (spezielles double action system)
Abzugsweg	0.15" / 4 mm	0.15" / 4 mm
Abzugsgewicht	5.51 lb / ~ 2,5 kg	5.51 lb / ~ 2,5 kg
Reset Action Sicherungen	Automatische Abzugs- und Fallsicherung	Automatische Abzugs- und Fallsicherung
Manuelle Sicherung	optional	optional
Ladezustand-Anzeige optisch	✓	✓
Integrierte Schlüsselfunktionssperre	✓	✓

Technische Änderungen vorbehalten!

	C9 - A2	C40 - A2
Kaliber	9 x 19 mm	40 S&W
Magazin Kapazität	17	15
Gewicht (mit leerem Magazin)	27.02 oz / 766 g	27.52 oz / 780 g
Gewicht des leeren Magazins	3.14 oz / 89 g	3.00 oz / 85 g
Gesamtlänge	6.97" / 177 mm	6.9" / 181 mm
Gesamthöhe	5.59" / 142 mm (mit 17 Schuss Magazin)	5.59" / 142 mm (mit 15 Schuss Magazin)
Gesamtbreite	1.3" / 33 mm	1.3" / 33 mm
Visierlänge	5.84" / 148,5 mm	6" / 152 mm
Lauflänge	3.62" / 92 mm	3.78" / 96 mm
Laufprofil	6 Züge und Felder, Rechtsdrall	6 Züge und Felder, Rechtsdrall
Abzugssystem	Reset action system (spezielles double action system)	Reset action system (spezielles double action system)
Abzugsweg	0.15" / 4 mm	0.15" / 4 mm
Abzugsgewicht	5.51 lb / ~ 2,5 kg	5.51 lb / ~ 2,5 kg
Reset Action Sicherungen	Automatische Abzugs- und Fallsicherung	Automatische Abzugs- und Fallsicherung
Manuelle Sicherung	optional	optional
Ladezustand-Anzeige optisch	✓	✓
Integrierte Schlüsselfunktionssperre	✓	✓

Technische Änderungen vorbehalten!

4. Hauptgruppen

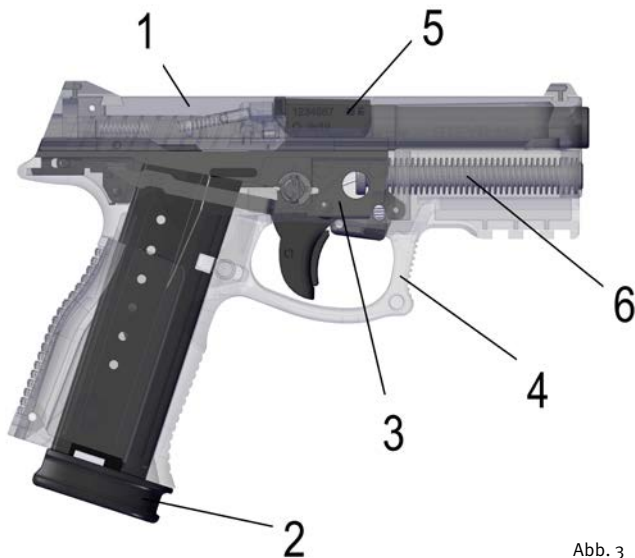


Abb. 3

- 1 Verschlusskörper
- 2 Magazin
- 3 Multifunktionsteil

- 4 Griffstück
- 5 Lauf
- 6 Schließfedereinheit

5. Hauptmerkmale

Griffstück: Das aus Kunststoff gefertigte Griffstück weist einen praxisgerechten Griffwinkel für ideale Deuteigenschaften, ergonomische Ausformungen für besten Halte - und Bedienungskomfort auf. Das Griffstück kann mittels wechselbarem Griff Rücken und wechselbaren Griffschalen individuell der Hand angepasst werden. An der Unterseite befindet sich eine Picatinnyschiene zur Montage von Zubehör.

Verschlusskörper: Das Verschlussstück besticht durch eine sehr geringe Bauhöhe, wodurch auch das Rückstoß - und Deutverhalten der Pistole positiv beeinflusst wird.

Ladestandsanzeiger (optional): Der Ladestandsanzeiger zeigt eine in der Pistole geladene Patrone an. Der Ladestandsanzeiger ist sichtbar und fühlbar am hinteren Ende des Verschlussstückes.

Lauf: Der Lauf ist halbstarr verriegelt und hat 6 Züge und Felder mit Rechtsdrall.

Multifunktionsteil: Das aus Stahl gefertigte und in das Griffstück eingesetzte Multifunktionsteil enthält Abzugs - und Sicherungseinrichtungen, Verschlussfanghebel und Ausstoßer.

Visierung: Die Standardvisierung, bestehend aus einem dreieckigen Korn und einer Kimme mit trapezförmigem Kimmenausschnitt, ist seitlich verstell- und austauschbar. Weiße Kontrastflächen auf Kimme und Korn dienen als Zielhilfe.

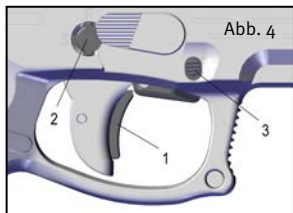
Magazin: Das Stahlmagazin weist beidseitige Öffnungen zur Feststellung des Ladestandes auf.

Abzugssystem: Das Abzugssystem ist mit einer Abzugsicherung und einer passiven Fallsicherung ausgestattet. Die passive Sicherung funktioniert automatisch ohne die Bedienung durch den Benutzer. Die Sicherung ist immer aktiviert und wird automatisch, beim Zurückziehen des Abzuges in die hinterste Position, deaktiviert.

Standardausstattung:

- 1 Pistole mit Magazin
- 1 Reservemagazin
- 2 Schlüssel für die integrierte Funktionssperre
- 1 Betriebsanleitung
- 1 Pistolenbox

6. Sicherungseinrichtungen

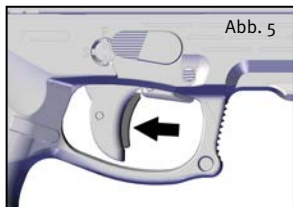


Die Pistole verfügt über 3 Sicherungszustände.

Der Benutzer kann den Sicherungszustand der Pistole seinen persönlichen Bedürfnissen anpassen.

HINWEIS

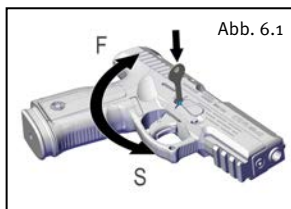
Die Pistole ist auch ohne manuelle Sicherung (3) erhältlich.



Reset Action Sicherungen (1)

(Abzug-, Fall- und indirekte Schlagbolzensicherung)

Diese Sicherungen werden erst durch das Ziehen des Abzuges deaktiviert. Damit ist höchstmögliche Schussbereitschaft bei gleichzeitiger Sicherheit gegeben.



Funktionssperre mit Schlüssel (2)

Die integrierte Funktionssperre wird manuell mit einem speziellen Schlüssel bedient. In der Stellung „gesperrt“ ist der Abzug blockiert und das Zerlegen der Pistole ist nicht möglich. Die integrierte Schlüsselfunktionssperre kann nur verwendet werden, wenn der Schlagbolzen gespannt ist (der Abzug ist in der vorderen Position).

Stellung „Entsperrt“



Drücken Sie zum Sperren die Funktionssperre hinein und drehen diese in Richtung des Buchstaben „S“ (Sicher) auf dem Griffstück. Der Abzug ist blockiert und die Pistole kann nicht zerlegt werden.

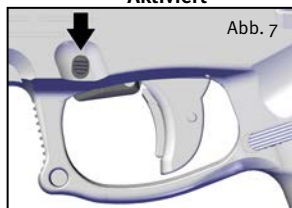
Stellung „Gespart“



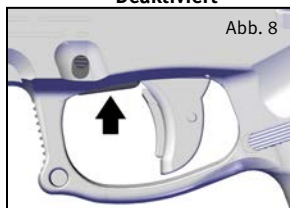
Drücken Sie zum Entsperren die Funktionssperre mit dem Schlüssel hinein und drehen diese in Richtung des Buchstaben „F“ zurück.

Manuelle Sicherung (3)

Aktiviert



Deaktiviert



Die manuelle Sicherung (3) kann zusätzlich zur Abzugssicherung (1) und nur bei gespanntem Schlagbolzen verwendet werden.

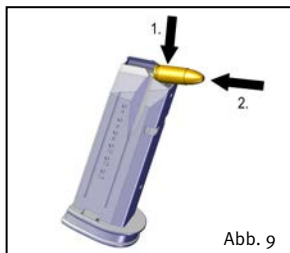
7. Laden, Schussabgabe

⚠ VORSICHT!

Der Laderaum der STEYR Pistole ist nur für ein ganz bestimmtes Patronenkaliber ausgelegt. Es ist wichtig, dass Sie Ihr Magazin nur mit der für Ihre Pistole passenden Munition laden. Vergleichen Sie immer beim Laden des Magazins das auf dem Patronenhülsenboden vermerkte Kaliber mit dem Ihrer Pistole um die Verwendung der richtigen Patrone sicher zu stellen. Die Verwendung von falscher Munition in Ihrer Pistole kann zu dessen Zerstörung, schweren oder tödlichen Verletzungen führen.

⚠ VORSICHT!

Um das Risiko einer fahrlässigen Schussabgabe zu minimieren, laden Sie Ihre STEYR Pistole erst dann, wenn Sie zur Schussabgabe bereit sind.



Laden

Zum Laden drücken Sie jede Patrone, mit dem Stoßboden voran, gegen den Druck der Magazinfeder in das Magazin.



Abb. 10

Stecken Sie das Magazin in den Magazinschacht des Griffstücks bis der Magazinhalter einrastet.



Abb. 11

Halten Sie die Steyr Pistole mit der Schießhand, den Abzugfinger ausgestreckt und am Abzugsbügel anliegend. Ziehen Sie das Verschlussstück mit der anderen Hand komplett zurück und lassen es los, sodass das Verschlussstück selbsttätig in die vorderste Stellung zurückkehrt.

Oder



Abb. 12

Drücken Sie den Verschlussfang mit dem Daumen der Schießhand nach unten, wenn das Verschlussstück in der hintersten Stellung vom Verschlussfang gehalten wird, sodass das Verschlussstück selbsttätig in die vorderste Stellung zurückkehrt.

Die Pistole ist nun geladen und beim Ziehen des Abzugs feuerbereit.

Schussabgabe

VORSICHT!

Bevor Sie mit der STEYR Pistole schießen, reinigen Sie den Lauf, indem Sie mit dem Putzstock ein Reinigungstuch vom Laderaum zur Mündung durch die Bohrung schieben. Wiederholen Sie diesen Vorgang bis das Reinigungstuch frei von Öl oder Reinigungsmittel ist.

VORSICHT!

Verwenden Sie niemals Ihre STEYR Pistole nach einer Fehlfunktion und schließen Sie niemals gewaltsam das Verschlussstück bei beschädigter Munition (eine Explosion kann dadurch verursacht werden).

VORSICHT!

Ziehen Sie nicht den Abzug, wenn das Verschlussstück nicht vollständig geschlossen ist. In diesem Fall entladen Sie die Pistole wie in Kapitel 8 der Inhaltsangabe beschrieben, überprüfen Sie die entfernte Patrone und den Laderaum auf Beschädigungen oder Verschmutzung.

VORSICHT!

Tragen Sie beim Schießen Ihrer STEYR Pistole immer eine Schutzbrille um Ihre Augen zu schützen.

VORSICHT!

Tragen sie beim Schießen immer einen geeigneten Gehörschutz, um Ihr Gehör zu schützen.

HINWEIS

Wenn die Pistole über eine mechanische Ladestandanzeige verfügt, ragt der Ladestandsanzeiger fühlbar und sichtbar aus dem Verschlussstück, wenn eine Patrone im Laderaum geladen ist.

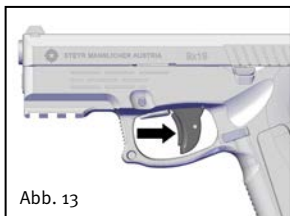


Abb. 13

Zur Schussabgabe ziehen Sie den Abzug mit dem Zeigefinger der Schießhand in die hinterste Position. Dadurch wird automatisch die Abzugsicherung und die Fallsicherung deaktiviert.



Abb. 14

Nach dem Abfeuern der letzten Patrone wird das Verschlussstück in der offenen Stellung gehalten.

8. Entladen

VORSICHT!

Um sicher zu stellen, dass sich in Ihrer STEYR Pistole nach dem Entladen keine Patrone mehr befindet, müssen Sie unbedingt die Reihenfolge beachten.



Abb. 15

- 1 Entfernen Sie das Magazin durch Drücken des Magazinhalters.

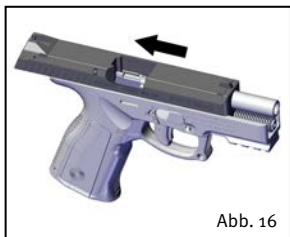


Abb. 16

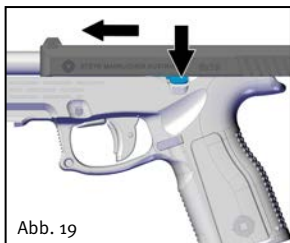
- 2 Ziehen Sie das Verschlussstück zum Auswerfen der Patrone nach hinten.



- 3 Fixieren Sie das Verschlussstück in der hintersten (offenen) Stellung.



- 4 Überprüfen Sie visuell und manuell, ob sich eine Patrone im Laderaum befindet.



- 5 Lösen Sie das Verschlussstück, sodass es selbsttätig in die vorderste (geschlossene) Stellung kommt.

Entladen Sie auch die STEYR Pistole bei der Verwendung der Schlüssel-Funktionssperre.

9. Zerlegen

VORSICHT!

Modifizieren Sie niemals Ihre STEYR Pistole, da dies zu Funktionsstörungen und gefährlichen Bedingungen führen kann.

VORSICHT!

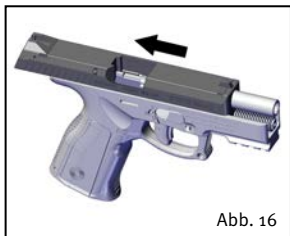
Tragen Sie immer eine Schutzbrille während des Zerlegens als Schutz vor den Federn.

VORSICHT!

Um sicher zu gehen, dass sich keine Patrone mehr im Laderaum befindet müssen Sie den nachstehenden Schritten folgen.



- 1 Entfernen Sie das Magazin durch Drücken des Magazinhalters.



- 2 Ziehen Sie das Verschlussstück zum Auswerfen einer Patrone, die sich womöglich im Patronenlager befindet nach hinten.



- 3 Fixieren Sie das Verschlussstück in der hintersten (offenen) Stellung.



- 4 Überprüfen Sie visuell und manuell, ob sich eine Patrone im Laderaum befindet.

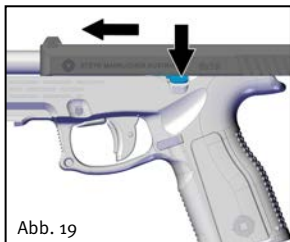


Abb. 19

- 5 Lösen Sie mit dem Verschlussfang das Verschlussstück, sodass das Verschlussstück selbsttätig in die vorderste (geschlossene) Stellung kommt.



Abb. 13

- 6 Richten Sie die Mündung der Waffe nach unten in eine sichere Richtung und ziehen Sie den Abzug.

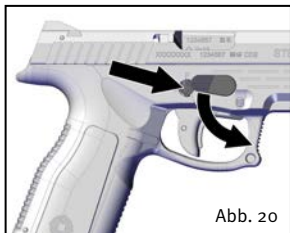


Abb. 20

- 7 Drücken Sie die Schlüsselfunktionssperre mit dem Zeigefinger der Schießhand hinein und halten diese eingedrückt.
- 8 Schwenken Sie den Zerlegehebel mit dem Daumen der anderen Hand nach unten.



Abb. 21

- 9 Ziehen Sie das Verschlussstück nach vorne vom Griffstück ab.

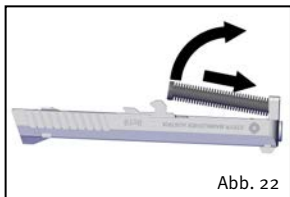


Abb. 22

- 10 Drücken Sie die Schließfeder nach vorne in das Verschlussstück und nehmen die Schließfedereinheit heraus.

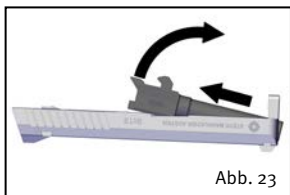


Abb. 23

- 11 Heben Sie den Lauf am Laufhaken an und ziehen diesen aus dem Verschlussstück heraus.

⚠ ACHTUNG!

Die weitere Zerlegung darf nur durch von STEYR ARMS autorisiertem Personal erfolgen.

10. Reinigung

VORSICHT!

Bevor Sie die Waffe zerlegen oder reinigen vergewissern Sie sich, dass die Waffe entladen ist.

VORSICHT!

Tragen Sie während der Reinigung eine Schutzbrille zum Schutz Ihrer Augen vor Reinigungsmittel.

VORSICHT!

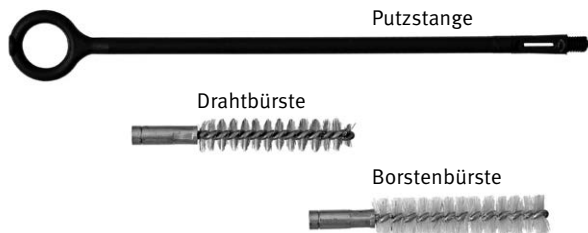
Versichern Sie sich, dass sich keine Munition im Bereich der Reinigung befindet. Reinigungsmittel können Einfluss auf den Zünder oder Treibmittel der Patrone haben und dadurch zu Funktionsstörungen führen. Weiteres kann es dadurch zu einem Geschossstecker im Lauf kommen. Wird jetzt ein weiteres Geschoss verschossen kann es zur Beschädigung der Waffe und ernsthaften Verletzungen kommen.

Hauptteile zur Reinigung



Abb. 24

Reinigen und ölen Sie die Hauptteile der STEYR Pistole nach dem Schießen oder wenn diese mit Sand, Staub oder Wasser (hohe Luftfeuchtigkeit oder Kondensationswasser) in Berührung gekommen ist. Gute Pflege ist wichtig für die Sicherstellung der einwandfreien Funktion. Zum Reinigen zerlegen Sie die Waffe entsprechen Kapitel 9.



(STEYR Reinigungsgerät optional)

Abb. 25

Nach dem Zerlegen Ihrer STEYR Pistole, reinigen Sie die Laufbohrung wie folgt mit dem Reinigungsgerät:

1. Befeuchten Sie das Reinigungstuch mit Waffenöl oder einem Laufreinigungsmittel und schieben Sie es mittels der Putzstange durch den Lauf, immer vom Patronenlager zur Mündung bis die Laufbohrung sauber ist.
2. Schieben Sie nun mehrmals die geölte Drahtbürste vom Patronenlager zur Mündung zum Entfernen von Rückständen und verbranntem Pulver durch den Lauf.
3. Befeuchten Sie ein neues Reinigungstuch mit Waffenöl oder einem Laufreinigungsmittel und schieben es mit der Putzstange durch den Lauf, immer vom Patronenlager zur Mündung, bis das Reinigungstuch sauber ist. Ersetzen Sie dabei immer wieder das Reinigungstuch.
4. Schieben Sie mittels der Putzstange ein sauberes und trockenes Reinigungstuch durch den Lauf, immer vom Patronenlager zur Mündung hin.
5. Befeuchten Sie ein Reinigungstuch ein wenig mit Waffenöl und schieben es durch den Lauf, immer vom Patronenlager zur Mündung hin.

6. Vor dem nächsten Schießen schieben Sie ein sauberes und trockenes Reinigungstuch durch den Lauf, immer vom Patronenlager zur Mündung hin, bis der Lauf frei von Öl ist.

Wollen Sie Ihre STEYR Pistole lagern, so führen Sie die Reinigung nur bis Schritt 5 durch.

Schmierstellen

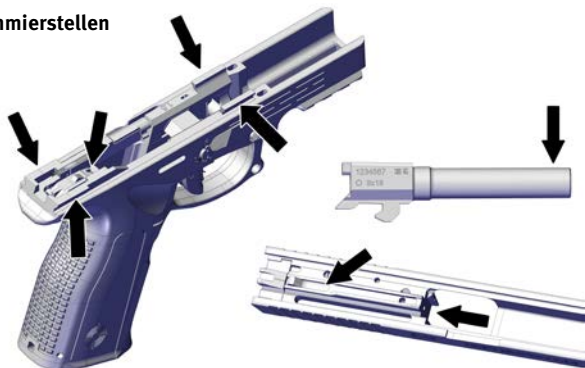


Abb. 26

Reinigen und ölen Sie das Verschlussstück, die Führungsschienen, die Lauf-Außenseite und den Verschlussfang wie folgt (siehe Abbildung oben).

1. Entfernen Sie mit der geölten Borsten Bürste an den gekennzeichneten Stellen vorhandene Verunreinigungen und Rückstände.
2. Wischen Sie die gereinigten Stellen mit einem sauberen Reinigungstuch trocken und kontrollieren den Reinigungsgrad. Falls noch Verschmutzungen vorhanden sind wiederholen Sie den Vorgang.
3. Tragen Sie einen dünnen Film Waffenöl auf die gereinigten Stellen, den Schlagbolzen und am äußeren Laufende wie in Abbildung 26 gezeigt auf.

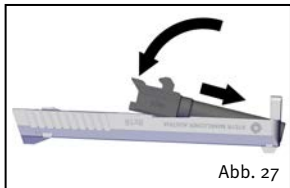
 **ACHTUNG!**

Verwenden Sie nicht zu viel Waffenöl. Zu viel Waffenöl sammelt Pulverreste und andere Rückstände an und kann dadurch zu Funktionsstörungen führen.

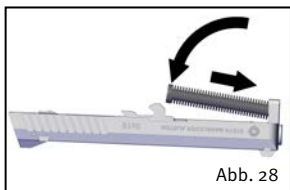
Nach der kompletten Reinigung bauen Sie die STEYR Pistole wie in Kapitel 11 beschrieben zusammen.

11. Zusammenbau

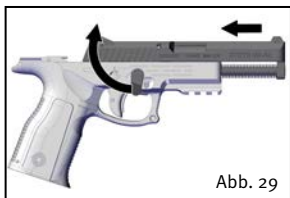
Zum Zusammenbauen Ihrer STEYR Pistole nach der Reinigung folgen Sie die Anweisungen.



1. Halten Sie den Lauf bei den Laufhaken, schieben diesen in das Verschlussstück und nach unten schwenken.



2. Drücken Sie die Schließfeder-einheit in das Verschlussstück hinein und nach unten.



3. Stecken Sie das Verschlussstück auf das Griffstück und ziehen es ganz nach hinten.
4. Drehen Sie den Zerlegehebel nach oben.

12. Individuelles Anpassen des Griffes



Abb. 30

Der neue STEYR ARMS Pistolengriff kann mit dem wechselbaren Griff Rücken und den wechselbaren Griffschalen individuell der Hand angepasst werden.

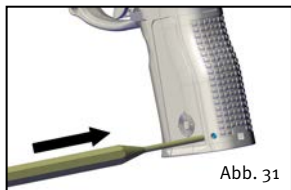


Abb. 31

Wechseln der Griffschalen

1. Entfernen Sie den Bolzen mit einem Durchschlag 3mm.



2. Schwenken Sie den Griff Rücken heraus.



3. Ziehen Sie die linke und die rechte Seitenplatte heraus.



4. Positionieren Sie die linke und die rechte Seitenplatte in der für Sie passenden Größe.



5. Positionieren Sie den Griff Rücken in der für Sie passenden Größe.



6. Fixieren Sie den Griff Rücken mit dem Bolzen.

13. Behebung von Störungen

Wird die STEYR Pistole ordnungsgemäß gereinigt und gepflegt, funktioniert sie sehr zuverlässig. Falls trotzdem Störungen auftreten halten Sie sich an folgenden Ablauf:

1. Halten Sie die STEYR Pistole in eine sichere Richtung.
2. Entfernen Sie das Magazin.
3. Ziehen Sie den Verschluss ganz zurück, um die fehlerhafte Patrone auszuwerfen.
4. Bevor Sie eine neue Patrone zuladen, überprüfen Sie den Lauf auf Beschädigung.
5. Schieben Sie den Verschluss frei nach vorne.
6. Führen Sie das Magazin ein.
7. Laden Sie die STEYR Pistole und setzen Sie das Schießen fort.

Nr.	Fehlerart	Ursache	Behebung
1	Zufuhrstörung	Magazin nicht richtig eingesetzt	Magazin herausnehmen, Magazin erneut einsetzen bis der Magazinhalter hörbar einrastet
		Magazin beschädigt	Magazin kontrollieren und wenn nötig ersetzen
		Magazin verschmutzt	Magazin reinigen
		Patrone verschmutzt oder Beschädigt	Patrone ausstoßen Laderaum reinigen
		Laderaum verschmutzt	Laderaum reinigen
		Unterladene Munition	Munitionssorte wechseln
2	Lauf / Verschluss verriegeln nicht vollständig	Laderaum, Verschlussstück oder Lauf verschmutzt	Laderaum, Verschlussstück oder Lauf reinigen
		Patrone beschädigt (verbogen oder zu lang)	Patrone ausscheiden
		Schließfeder zu schwach	Schließfedereinheit auswechseln
3	Zündstörung	Verschlussstück nicht verriegelt	Verschlussstück reinigen
		Patrone beschädigt (das Zündhütchen ist angeschlagen)	1 Minute in Schießhaltung warten, entladen und mit neuer Patrone laden
		Schlagbolzen beschädigt oder gebrochen (Zündhütchen nicht oder ungenügend eingedrückt)	1 Minute in Schießhaltung warten, entladen. Nur durch qualifizierten Büchsenmacher. Schlagbolzen auswechseln
		Schlagbolzenfeder zu schwach (Zündhütchen nicht oder ungenügend eingedrückt)	1 Minute in Schießhaltung warten, entladen. Nur durch qualifizierten Büchsenmacher. Schlagbolzenfeder auswechseln

Nr.	Fehlerart	Ursache	Behebung
4	Ausziehstörung	Auszieher beschädigt (abgenützt, gebrochen)	Nur durch qualifizierten Büchsenmacher. Auszieher austauschen
		Patrone beschädigt	Neue Patrone
		Unterladene oder Überladene Munition	Munitionssorte wechseln
		Laderaum verschmutzt	Laderaum reinigen
	Patronenhülse ausgezogen, aber nicht ausgeworfen oder senkrecht geklemmt (Ofenrohr)	Ungenügende Schmierung	Waffe ölen wie beschrieben unter Punkt 7. Inhaltsverzeichnis
5	Abzug löst nicht aus		Kontaktieren Sie einen qualifizierten Büchsenmacher.
6	Schlagbolzen wird nicht gespannt		Kontaktieren Sie einen qualifizierten Büchsenmacher.
7	Verschlussstück bleibt nach dem letzten Schuss nicht hinten	Zubringerfeder zu schwach	Zubringerfeder oder Magazin austauschen

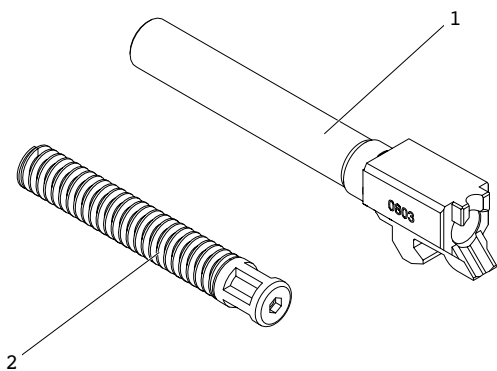
14. Gewährleistung

Das Zerlegen der STEYR Pistole durch den Käufer oder Dritte, anders als in der Betriebsanleitung beschrieben, sowie falscher Zusammenbau oder Bedienung, kann zu Beschädigungen, Funktionsstörungen und Versagen der Sicherheitseinrichtungen führen. Der Hersteller weist darauf hin, dass in diesem Fall Gewährleistung und Ansprüche des Käufers auf Schadenersatz bei Beschädigung oder Verletzung ungültig werden.

Bei jeder Veränderung des Originalzustandes werden die Gewährleistungsansprüche ungültig, ebenso bei Verwendung von selbstgeladener oder fehlerhafter Munition.

Jede Veränderung der Sicherungseinrichtungen ist aus Sicherheitsgründen strengstens verboten!

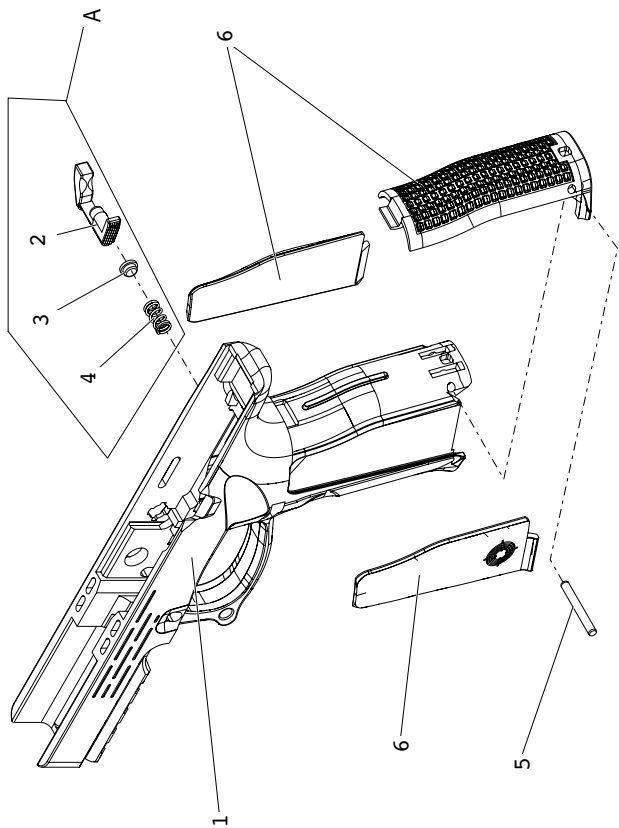
STEYR ARMS weist alle Gewährleistungsansprüche zurück, die auf Nichteinhaltung oder ungenaue Einhaltung der Betriebsanleitung zurückzuführen sind.



15. Ersatzteilliste

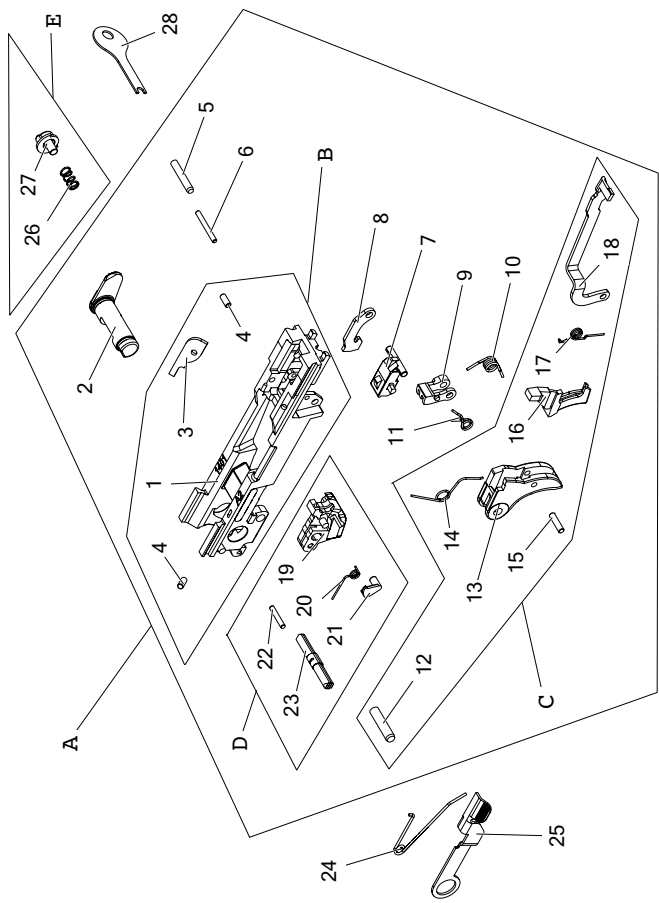
Gruppe Lauf und Schließfeder

Pos.	Bezeichnung	Anzahl
1	LAUF L 9x19 115MM	
1	LAUF M 9x19 102MM	
1	LAUF C 9x19 92MM	
1	LAUF L 40S&W 115MM	
1	LAUF M 40S&W 102MM	
1	LAUF C 40S&W 96MM	
1	SCHLISSFEDEREINHEIT L 9x19	
1	SCHLISSFEDEREINHEIT L 40S&W	
1	SCHLISSFEDEREINHEIT M	
1	SCHLISSFEDEREINHEIT C	



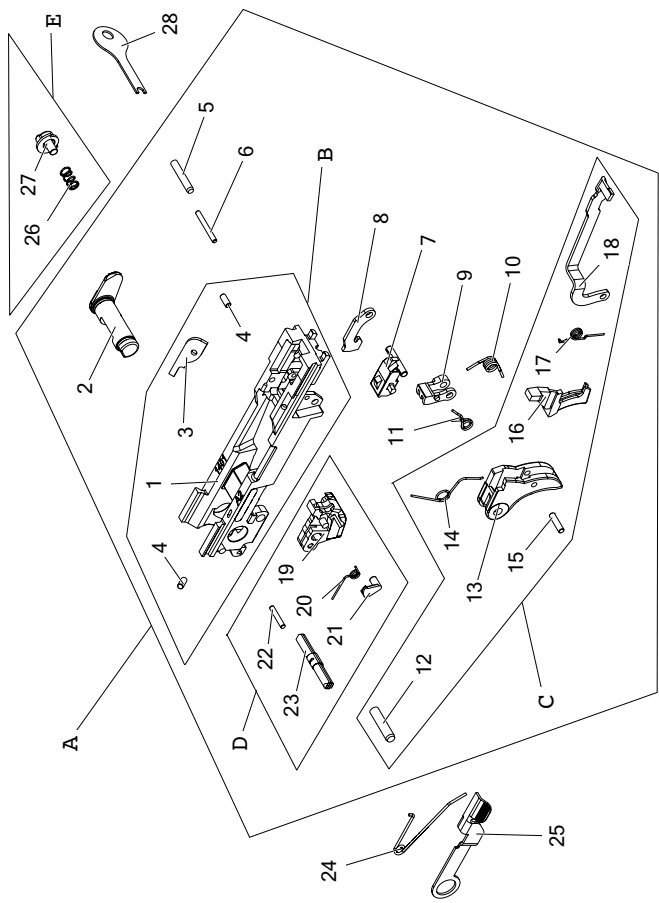
Gruppe Griffstück

Pos.	Benennung	Anzahl
A	SET MAGAZINHALTER, BEIDSEITIG	
1	GRIFFSTÜCK A2-L m.m.S / RAL 9011	1
1	GRIFFSTÜCK A2-M m.m.S / RAL 9011	1
1	GRIFFSTÜCK A2-C m.m.S / RAL 9011	1
1	GRIFFSTÜCK A2-L o.m.S / RAL 9011	1
1	GRIFFSTÜCK A2-M o.m.S / RAL 9011	1
1	GRIFFSTÜCK A2-C o.m.S / RAL 9011	1
2	MAGAZINHALTER, BEIDSEITIG	1
3	FEDERAUFLAGE	1
4	DRUCKFEDER	1
5	ZYLINDERSTIFT 3X26	1
6	SET GRIFFSCHALEN, 7 TEILIG	1

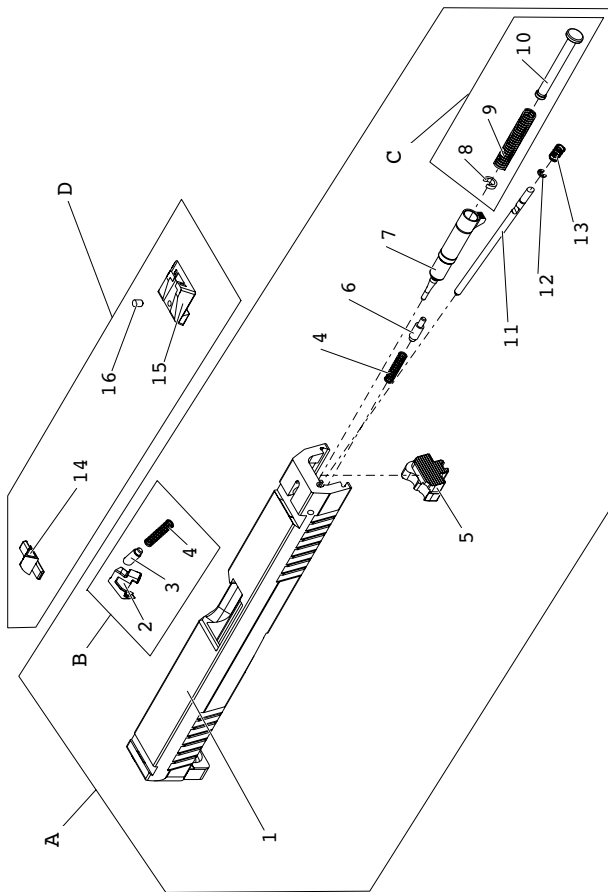


Gruppe Verschlussführung

Pos.	Benennung	Anzahl
A	SET MULTIFUNKTIONSTEIL A2 m.m.S	
A	SET MULTIFUNKTIONSTEIL A2 o.m.S	
B	MULTIFUNKTIONSTEIL A2 MIT AUSSTOSSER	
C	SET ABZUG 1.5	
D	MANUELLE SICHERUNG, EINHEIT (OPTIONAL)	
E	SCHLÜSSELFUNKTIONSSPERRE, EINHEIT	
E	SCHLÜSSELFUNKTIONSSPERRE, EINHEIT, HAND-SCHELLE	
1	VERSCHLUSSFÜHRUNG A2 m.m.S	1
2	ZERLEGEHEBEL	1
3	AUSSTOSSER PISTOLE A2	1
4	SPANNSTIFT 2,5X6	2
5	ZYLINDERSTIFT 3X18	1
6	ZYLINDERSTIFT 2X18	1
7	FANGSTÜCK	1
8	FALLSICHERUNG	1
9	HEBEL	1
10	FEDER ZUM HEBEL	1
11	FEDER ZUM FANGSTÜCK	1
12	ZYLINDERSTIFT 4X18	1
13	ABZUG	1
14	ABZUGFEDER	1
15	SPANNSTIFT 2,5X10	1
16	ABZUGSICHERUNG	1
17	FEDER ZU ABZUGSTANGE	1
18	ABZUGSTANGE	1
19	SICHERUNG	1
20	RASTFEDER	1
21	RASTSTÜCK	1
22	ZYLINDERSTIFT 2X12	1

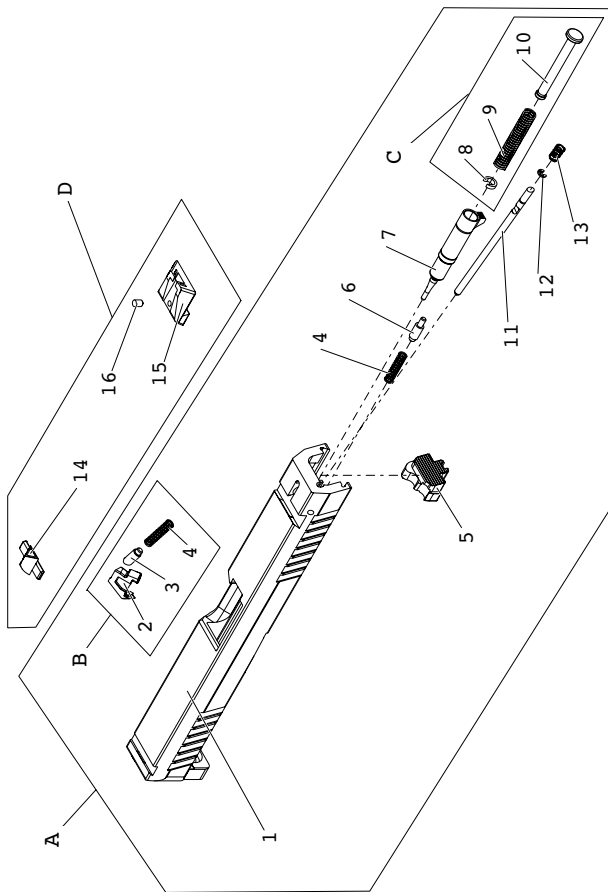


Pos.	Benennung	Anzahl
23	SICHERUNGSTANGE	1
24	FEDER ZUM VERSCHLUSSFANG	1
25	VERSCHLUSSFANG	1
26	DRUCKFEDER	1
27	SCHLÜSSELFUNKTIONSSPERRE	1
27	SCHLÜSSELFUNKTIONSSPERRE, HANDSCHELLE	
28	SCHLÜSSEL	1

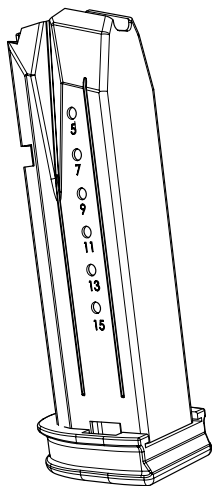


Gruppe Verschluss

Pos.	Benennung	Anzahl
A	SET VERSCHLUSSKÖRPER L, KALIBER 9X19	
A	SET VERSCHLUSSKÖRPER M, KALIBER 9X19	
A	SET VERSCHLUSSKÖRPER C, KALIBER 9X19	
A	SET VERSCHLUSSKÖRPER L, KALIBER 40S&W	
A	SET VERSCHLUSSKÖRPER M, KALIBER 40S&W	
A	SET VERSCHLUSSKÖRPER C, KALIBER 40S&W	
B	SET AUSZIEHER, KALIBER 9X19	
B	SET AUSZIEHER, KALIBER 40S&W	
C	FEDERSTANGE ZU SCHLAGBOLZEN, VOLLSTÄNDIG, STANDARD	
C	FEDERSTANGE ZU SCHLAGBOLZEN, VOLLSTÄNDIG, VERSTÄRKT	
D	SET TRAPEZVISIER	
D	SET MATCHVISIER, VERSTELLBAR	
D	SET TRITIUMVISIER	
D	SET RECHTECKVISIER	
1	VERSCHLUSSKÖRPER L, KALIBER 9X19	1
1	VERSCHLUSSKÖRPER M, KALIBER 9X19	1
1	VERSCHLUSSKÖRPER C, KALIBER 9X19	1
1	VERSCHLUSSKÖRPER L, KALIBER 40S&W	1
1	VERSCHLUSSKÖRPER M, KALIBER 40S&W	1
1	VERSCHLUSSKÖRPER C, KALIBER 40S&W	1
2	AUSZIEHER A2 PISTOLE, KALIBER 9X19	1
2	AUSZIEHER PISTOLE, KALIBER 40S&W	1
3	AUSZIEHERBOLZEN	1
4	AUSZIEHERFEDER	2
5	DECKPLATTE, STANDARD	1
5	DECKPLATTE, LADESTANDANZEIGE	1
6	BOLZEN ZU DECKPLATTE	1
7	SCHLAGSTIFT	1



Pos.	Benennung	Anzahl
8	SCHEIBE ZU SCHLAGBOLZENFEDER	1
9	DRUCKFEDER, STANDARD	1
9	DRUCKFEDER, VERSTÄRKT	1
10	FEDERSTANGE ZU SCHLAGBOLZEN	1
11	LADESTANDANZEIGER, NUR MODELL L	1
12	SICHERUNGSSCHEIBE, NUR MODELL L	1
13	FEDER ZU LADESTANDANZEIGE, NUR MODELL L	1
14	KORN TRAPEZVISIER	1
14	KORN MATCHVISIER	1
14	KORN TRITIUMVISIER	1
14	KORN RECHTECKVISIER	1
15	KIMME TRAPEZVISIER	1
15	KIMME MATCHVISIER	1
15	KIMME TRITIUMVISIER	1
15	KIMME RECHTECKVISIER	1
16	GEWINDESTIFT M ₃ X ₃	1



Gruppe Magazin

Pos.	Benennung	Anzahl
A	MAGAZIN 17 SCHUSS, KALIBER 9X19	
A	MAGAZIN 10 SCHUSS, KALIBER 9X19	
A	MAGAZIN 15 SCHUSS, KALIBER 40S&W	
A	MAGAZIN 10 SCHUSS, KALIBER 40S&W	

Notizen

Notizen

Notizen