

OWNER'S MANUAL

STEYR AUG A3 M1



⚠ WARNING READ THIS MANUAL

BEFORE LOADING OR USING YOUR STEYR AUG.

You must consider your rifle to be loaded and ready to fire until you have removed the magazine and visually and physically (with your finger) confirmed that the chamber is empty.

Dear Customer,

With the purchase of the STEYR AUG/A3 SA USA you have acquired a rifle that meets the highest quality standards. This rifle has been conceived to state-of-the-art requirements of today's users. Unsurpassed performance, superb quality, optimum user comfort in handling, and long service life are the parameters for which the STEYR AUG has been designed.

Copyright STEYR ARMS, GmbH
All rights reserved.

STEYR ARMS, Inc.
2530 Morgan Road
Bessemer, AL 35022
Tel. (205) 417-8644
Fax. (205) 417-8647
www.steyr-arms.com/us



STEYR ARMS GmbH
Ramingtal 46, 4442 Kleinraming, Austria
www.steyr-arms.com/en

Owner's Manual

Read this manual and the warnings contained in it before loading or using your STEYR AUG. This manual explains the function and the handling of your STEYR AUG and warns of the potential dangers, including death and serious personal injury that can result from the unsafe use of your STEYR AUG. This manual should always accompany your STEYR AUG and be transferred with your STEYR AUG if it is sold or loaned to another person.

We want you to enjoy shooting your STEYR AUG, but we want you to enjoy it safely. Whether you are an experienced shooter or have never handled a firearm before, you must READ THIS ENTIRE MANUAL CAREFULLY before loading or firing your STEYR AUG. This manual gives basic instructions on the proper handling and functioning of your STEYR AUG. Your safety and the safety of others depend on you following the instructions and warnings in this manual and constant use of safe firearms practices. If you are unfamiliar with firearms, take a course in the safe handling of firearms run by a qualified firearms instructor, your local gun club, or a similar qualified organization.

This manual contains several safety warnings and instructions preceded with **WARNING**, **CAUTION** or **NOTICE**. These signal words are designed to draw your attention to important safety information.

WARNING indicates a hazardous situation which, if not avoided, could result in death or serious personal injury. **CAUTION** indicates a hazardous situation, which, if not avoided, could result in moderate or minor personal injury. **NOTICE** addresses safety practices not related to personal injury.

WARNING Failure to follow the safety information and safety instructions in this manual could result in death, serious personal injury and/ or property damage.

WARNING Always seek a doctor's advice if you are taking medication to be sure that you are able to shoot and handle a firearm safely. Never drink alcoholic beverages or take drugs before or while shooting. Your vision, balance, coordination, and judgment could be seriously impaired, making your firearm handling unsafe.

WARNING If your STEYR AUG or any other firearm is carelessly or improperly handled, you could cause a negligent discharge, which could result in death, serious personal injury, and/or property damage.

WARNING Always handle your STEYR AUG as if it is loaded so that you never fire it negligently.

WARNING Always keep your STEYR AUG pointed in a safe direction. A safe direction is one in which no one can be injured in the event the rifle fires. Never point the rifle (whether loaded or unloaded) at yourself or anyone else. In selecting a safe direction, you must consider that a bullet can ricochet or glance off any object it strikes (including even the surface of water), that it can penetrate walls, ceilings, floors and windows, and that rifle bullets can travel several miles.

WARNING Never pull the trigger or put your finger on the trigger or in the trigger guard until you have made the decision to fire.

WARNING Never take anyone's word that a firearm is unloaded; always check for yourself, with the firearm pointed in a safe direction and your finger off of the trigger and outside of the trigger guard.

WARNING Always make sure your STEYR AUG is unloaded and that the bolt is locked open in the rearward position with the magazine taken out before handing it to another person.

WARNING Never alter or modify your STEYR AUG because this could cause it to malfunction and create a dangerous condition. Make sure any accessories you install are compatible with your STEYR AUG and do not interfere with its safe operation.

WARNING If your STEYR AUG is dropped or forcefully struck, it could be damaged and may not function properly. Have it inspected by STEYR authorized personnel before continuing to use it.

WARNING Never carry or handle your STEYR AUG with a cartridge loaded in the chamber until you are ready to fire it.

⚠ WARNING To store your STEYR AUG, first unload it as described in Chapter 4. Then, after checking to make sure that it is unloaded (chamber empty and magazine removed), place it in a suitable locked container.

⚠ WARNING Always store and transport your STEYR AUG unloaded and locked in a suitable container, out of the reach and sight of children or other unauthorized persons.

⚠ WARNING Never store or transport ammunition in the same container as your STEYR AUG.

⚠ WARNING Most ammunition contains lead in the projectile and/or primer. Lead is a toxic (poisonous) substance, exposure to which can cause death, serious personal injury, birth defects in infants, and other ailments. Firing your STEYR AUG in a poorly ventilated area can lead to exposure to lead. Always wash your hands and face after handling ammunition, firing your STEYR AUG, and/or performing preventive maintenance on your STEYR AUG to minimize your exposure to lead.

Before it left the factory, your rifle was tested, carefully inspected and packaged. STEYR ARMS, Inc. cannot control what happens to the rifle after it leaves the factory, therefore, carefully examine your rifle when you acquire it to ensure that it is unloaded and undamaged.

If you do not understand the warnings and instructions in this manual or have any problems operating your rifle, contact STEYR ARMS, Inc. at support-usa@steyr-arms.com or (205) 417-8644.

TABLE OF CONTENTS

CHAPTER 1: MAIN FEATURES	7
CHAPTER 2: LOADING	11
CHAPTER 3: FIRING	17
CHAPTER 4: CLEARING MALFUNCTIONS (JAMS)	22
CHAPTER 5: UNLOADING	24
CHAPTER 6 : DISASSEMBLY	26
CHAPTER 7 : PREVENTATIVE MAINTENANCE.....	38
CHAPTER 8 : REASSEMBLY	44
CHAPTER 9 : CORRECTING MALFUNCTIONS	54
CHAPTER 10: PRODUCT SERVICE	56
CHAPTER 11: TECHNICAL SPECIFICATIONS.....	59
CHAPTER 12: PARTS LIST.....	61
State Required Warnings	72

CHAPTER 1: MAIN FEATURES



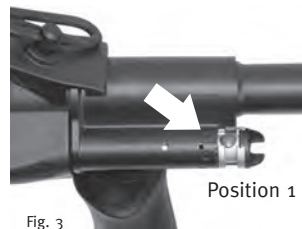
Fig. 2

The STEYR AUG is a gas operated semi-automatic rifle chambered in 5.56 NATO with a locked action. The STEYR AUG is famous for its modular concept, which allows it to be quickly disassembled into six main component groups without tools. These six component groups are as follows:

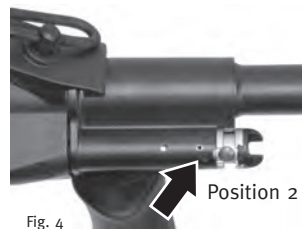
BARREL GROUP: The chrome-lined barrel is designed for high reliability. The barrel can be quickly changed without the use of tools and has a foldable grip. The gas pressure can be adjusted to allow it to function under adverse conditions, such as cold weather, or when the STEYR AUG is dirty. The gas regulator has two positions.

⚠ WARNING Never place your fingers or any other part of your body on or around the gas regulator when firing. Hot gases and particles are expelled from the front of the gas regulator and the two holes on the right side of the gas regulator at very high pressure and could cause burns and other serious personal injuries. Always use the foldable barrel grip to hold the AUG when firing it.

⚠ WARNING Never adjust the position of the gas regulator when using (firing) the AUG because it will become very hot and could cause burns and other serious personal injuries. Always allow the AUG to sufficiently cool down before adjusting the gas regulator.



Position one, which is used under normal conditions, is indicated by a small dot at the gas cylinder.



Position two, which is used under adverse conditions such as cold weather, or when the STEYR AUG is dirty, is indicated by a big dot at the gas cylinder.

RECEIVER GROUP: The receiver has an integrated Picatinny rail (Mil. Std. 1913) on which to mount various devices, such as a scope or flashlight. The barrel is locked into the front and back of the receiver.

BOLT GROUP: The STEYR AUG has a fixed locking bolt, with seven locking lugs. An optional bolt is available to convert the STEYR AUG from right hand to left hand ejection.

STOCK GROUP: The STEYR AUG comes with a synthetic bull-pup stock. It contains the receiver group, trigger mechanism group, magazine and external bolt release lever



Fig. 5

The safety is located on the top of the pistol grip of the stock, behind the trigger. The safety is a two position push through “cross-bolt” type that locks the trigger. When the safety is protruding all the way from the right side of the STEYR AUG and a white dot is visible, it is in the “safe” position and the trigger is locked in place.



Fig. 6

When the safety is protruding all the way from the left side of the STEYR AUG and a red dot is visible, it is in the “fire” position and the trigger can be moved.

⚠ WARNING Although STEYR AUG’s have several internal safeties, designed to prevent an unintentional discharge if the STEYR AUG is dropped or hit, the proper and safe function of your STEYR AUG depends on it being used for its intended purpose and not being altered or modified. Like any other mechanical device, if your STEYR AUG is subjected to unusual and extreme forces, a part failure can occur. Therefore, safe firearm handling practices and the instructions and safety warnings in this manual must always be followed to minimize the risk of serious personal injury or death to you or others.

⚠ WARNING In case any of your STEYR AUG’s safeties prove to be ineffective for any reason, the possibility of an unintentional discharge exists. If so, your STEYR AUG should be immediately unloaded and not be used again until it has been examined by STEYR authorized personnel.

TRIGGER MECHANISM GROUP: The trigger mechanism is designed for semi-automatic fire only. It is located in the rear of the stock.

MAGAZINE GROUP: The detachable magazine is a staggered box type and is made of transparent synthetic material. Magazines are available in 30 round (standard), and in 10 round, and 42 round (optional) capacities.

STANDARD EQUIPMENT

- 1 - Steyr AUG A3
- 1 - 30 Rd (10 Rd in restricted states) Magazine
- 1 - Owner’s Manual

CHAPTER 2: LOADING

WARNING The STEYR AUG is designed to fire the 5.56 NATO cartridge. Use only cartridges designated as 5.56 NATO or .223 Rem. Forcing damaged or incorrect ammunition into the chamber can damage your firearm and can result in death, serious personal injury, and/or damage to property.

WARNING Do not use reloaded, remanufactured, or hand loaded ammunition because it may not meet the applicable SAAMI, CIP or NATO standards and could cause death, serious personal injury, and/or property damage. Only use high quality commercially manufactured 5.56 NATO or .223 Rem. ammunition.

WARNING Before firing your STEYR AUG, run a clean patch through the barrel, from the chamber end, using the cleaning string. Repeat this procedure until the patch comes out of the barrel with no gun oil or cleaner-lubricant-preservative on it. Any obstruction in the barrel could prevent the rifle from firing properly and cause the barrel to burst, resulting in death, serious personal injury and/or damage to the rifle.

WARNING Only use high quality commercially manufactured ammunition in the same caliber as your STEYR AUG. Reloaded or hand loaded ammunition may not meet applicable SAAMI standards and could be unsafe.

NOTICE Pay attention to the magazine's capacity. Never attempt to load more than the specified number of rounds into a magazine because this could damage the magazine and prevent it from feeding properly.



Fig. 7

To load the magazine, press each cartridge down and into the magazine - against the force of the magazine spring.



Fig. 8

To insert the magazine, hold the pistol grip with your right hand and hold the magazine in your left hand. Insert the magazine up and into the magazine well until the magazine release lock catches (indicated by a “click” sound).

If the cocking slide is in the forward position, hold the pistol grip with your right hand and, while keeping the rifle pointed in a safe direction (a safe direction is one in which no one can possibly be injured in the event of an unintentional discharge) and your finger off of the trigger and outside of the trigger guard:



Fig. 9

⚠ CAUTION Always pull the cocking slide back with your palm facing up as shown in the accompanying photograph to prevent your knuckles from being cut or scraped on any devices, such as optics, that may be mounted on the Picatinny rail of the receiver.



Fig. 10

(1) pull the cocking slide back with your left hand and lock it in the rear position by turning it clockwise and allowing it to rest on the indentation on the receiver; and



Fig. 11

(2) turn the cocking slide counter-clockwise with the thumb of your left hand and allow the cocking slide and bolt carrier to move forward from the force of the recoil spring.

OR



Fig. 12

If the cocking slide is in the rearward position, either press the top of the bolt release in to release the bolt carrier and return it to the fully forward position.

OR



Fig. 13

Pull the cocking slide fully back and release it, allowing it to return to the fully forward position.

▲ WARNING The STEYR AUG is now loaded and will fire if the trigger is pulled with the safety in the “fire” position.

▲ WARNING To reduce the chance of a negligent discharge, do not load a round in the chamber until you are ready to fire. You should never store, carry, or handle a firearm with a cartridge in the chamber until you are ready to fire.

NOTE Do not hold the cocking slide and “ride” it forward, allow it to go forward by itself from the force of the recoil spring. If the bolt does not close properly either because you “rode” the cocking slide forward instead of allowing it to close by itself from the force of the recoil spring, or because of the presence of mud, sand or ice, it can be manually locked into place by using of the cocking slide as a forward assist.



Fig. 14

Using of the cocking slide as a forward assist:

1. Retract the cocking slide approximately 1”.
2. Turn the cocking slide grip inside with your left hand (the cocking slide and the left thrustpiece are connected now).
3. Move cocking slide forward, until the bolt locks (indicated by a “click” sound).

CHAPTER 3: FIRING

▲ WARNING Before firing your STEYR AUG, pull a clean patch through the barrel, from the chamber end to the muzzle end, using the cleaning string. Repeat this procedure until the patch comes out of the barrel with no gun oil or cleaner-lubricant-preservative on it.

▲ WARNING Always be sure that the barrel of your STEYR AUG is clear of obstructions before firing it. Remove any obstructions before firing your STEYR AUG so that it will function safely and correctly. Any obstruction in the barrel could prevent the STEYR AUG from firing properly and cause the barrel to burst, resulting in death or serious personal injury, and/or damage to the STEYR AUG.

▲ WARNING In case of a failure to fire, continue to hold your STEYR AUG pointed towards the target for at least 30 seconds. If a hang fire (slow ignition) has occurred, the cartridge should fire within approximately 30 seconds. If the cartridge has not fired, remove the magazine, eject the cartridge from the chamber and examine its primer. If the firing pin indentation is light, off-center, or non-existent, stop using your STEYR AUG and have it examined by STEYR authorized personnel. If the firing pin indentation on the primer appears normal (compared to similar previously fired cartridges) the cartridge may be defective. Separate the cartridge from other live ammunition and empty cases, reload your STEYR AUG and resume firing. NOTE: Dispose of misfired cartridges in accordance with the ammunition manufacturer's instructions.

▲ WARNING Never use your STEYR AUG if it fails to function properly, and never force the bolt closed on a jammed cartridge because it could cause the cartridge to explode.

▲ WARNING Never pull the trigger if the bolt does not fully close to prevent a possible out of battery firing. If this happens, unload the STEYR AUG as described in Chapter 4 and examine the round that was in the chamber and check the chamber to ensure that there are no obstructions or debris in it.

▲ WARNING Always wear adequate safety glasses when firing your STEYR AUG to protect your eyes and make sure that anyone nearby is also wearing safety glasses to protect their eyes. Eye protection should, at a minimum, provide impact protection with side panels and meet ANSI standard Z87.1. Unprotected eyes can be injured by fragments expelled from the rifle, ejected cartridge cases, ruptured cartridge cases, splash back from targets, target frames, or backstops.

▲ WARNING Always wear adequate ear protection when firing your STEYR AUG to protect your hearing and make sure that anyone nearby is also wearing ear protection to protect their hearing. Ear protection should, at a minimum, provide a noise reduction rating (NRR) of 24 Db (24 decibels). Unprotected exposure to gunshot noise can cause permanent hearing loss and/or tinnitus (ringing in the ears).

▲ WARNING Never place your fingers or any other part of your body on or around the gas regulator when firing. Hot gases and particles are expelled from the front of the gas regulator and the two holes on the right side of the gas regulator at very high pressure and could cause burns and other serious personal injuries. Always use the foldable barrel grip to hold the AUG when firing it.

▲ WARNING Never place your fingers or any other part of your body on or near the muzzle attachment when firing the AUG. Hot gases and particles are expelled from the sides of the muzzle attachment at very high pressure and could cause burns and other serious personal injuries.

▲ WARNING Never adjust the position of the gas regulator when using the AUG because it will become very hot and could cause burns and other serious personal injuries. Always allow the AUG to sufficiently cool down before adjusting the gas regulator.

▲ WARNING Always be sure that your backstop is adequate to stop and contain bullets before firing so that you do not hit anything outside of the shooting range area. A bullet could travel through or past your target as far as 4 miles (approximately 6km). If in doubt, do not shoot.

⚠ WARNING Never shoot at a hard surface, such as rock, pavement, glass or metal or a liquid surface, such as water, because a bullet may ricochet and travel in any direction, striking you or someone else.

⚠ WARNING Always put a responsible and competent person in charge to maintain safety, discipline and control when a group is firing at a range, to reduce the likelihood of a negligent discharge.

⚠ WARNING Always carry your STEYR AUG unloaded with the bolt locked open in the rearward position while on a range until preparing to fire. Always keep the muzzle pointed towards the backstop when loading, firing and unloading it.

⚠ CAUTION Always keep yourself and others clear of the ejection port because spent cartridges are hot and are ejected with enough force to cause injury.

⚠ CAUTION Never touch the barrel, muzzle attachment, or gas regulator during or shortly after firing the AUG because they may be hot and could cause burns.

⚠ CAUTION Never place your fingers in the ejection port because they could be injured by the movement of the bolt.

⚠ CAUTION Never fire your STEYR AUG near an animal unless it is trained to accept that noise. An animal's startled reaction could injure it, or cause an accident.



Fig. 15

To fire your STEYR AUG when a cartridge is loaded in the chamber, move the safety all the way left into the “fire” position and pull the trigger. To fire another shot, release the trigger and then pull it again. When the last round has been fired, the bolt carrier will remain locked open in the rearward position.

If you pull a cleaning patch that is heavily oiled with a gun cleaning solvent or a cleaner-lubricant-preservative through the barrel, from the chamber end to the muzzle end, immediately after you finish firing your STEYR AUG, it will make the cleaning process described in Chapter 6 easier.

⚠ WARNING Although your STEYR AUG has a last round hold open that will lock the bolt back on an empty magazine, never rely on it to determine whether your rifle is unloaded. Always remove the magazine, fully retract and lock open the bolt and then visually and physically (with your finger) check to make sure there is not a cartridge in the chamber.

⚠ WARNING If you oil the barrel of your STEYR AUG immediately after firing it as described above to make the cleaning process easier, you MUST also clean it as described in Chapter 6 before firing it again to remove the oil so that it does not obstruct the barrel leading to possible serious personal injury or death.

CHAPTER 4: CLEARING MALFUNCTIONS (JAMS)

▲ WARNING In case of a failure to fire, continue to hold your STEYR AUG pointed towards the target for at least 30 seconds. If a hang fire (slow ignition) has occurred, the cartridge should fire within approximately 30 seconds. If the cartridge has not fired, remove the magazine, eject the cartridge from the chamber and examine its primer. If the firing pin indentation is light, off-center, or non-existent, stop using your STEYR AUG and have it examined by STEYR authorized personnel. If the firing pin indentation on the primer appears normal (compared to similar previously fired cartridges) the cartridge may be defective. Separate the cartridge from other live ammunition and empty cases, reload your STEYR AUG and resume firing. (NOTE: Dispose of misfired cartridges in accordance with the ammunition manufacturer's instructions.)

▲ WARNING If an unfired cartridge hangs up, jams or binds while being chambered, do not attempt to force it into the chamber by pushing or striking the cocking slide to attempt to close it because this could cause the cartridge to burst, resulting in fragments of the cartridge flying out of the ejection port with sufficient force to cause death or serious personal injury and/or property damage.

▲ WARNING Always wear safety glasses and hearing protection when attempting to remove a jammed cartridge, and point the ejection port away from you.

All auto-loading rifles may occasionally experience a malfunction (jam) or stoppage related to the feeding of ammunition. Most malfunctions are caused by improper ammunition, improper cleaning or lubrication, or a damaged magazine. To minimize the chance of malfunctions or stoppages, regularly perform preventive maintenance on your STEYR AUG pursuant to the instructions in chapter 7 of this manual. If you experience a malfunction or stoppage while using a new type or lot of

ammunition, try firing another type or lot of ammunition to determine whether the ammunition was the source of the malfunction or stoppage. If your STEYR AUG encounters a stoppage while a cartridge is being chambered or extracted follow the steps below to remove it.

1. Point the rifle in a safe direction (a safe direction is one in which no one can possibly be injured in the event of an unintentional discharge) with your finger off the trigger and outside the trigger guard.
2. Push the safety all the way right into the "safe" position.
3. Press the back of the magazine release up and remove the magazine.
4. Pull the cocking slide back and release it to eject any cartridge that may be in the chamber.
5. Pull the cocking slide back and lock it in the rear position by turning it clockwise and allowing it to rest on the indentation on the receiver.
6. Visually and manually check to make sure that no cartridge remains in the chamber.
7. If the above steps did not clear the malfunction or stoppage, carefully remove the jammed cartridge from the chamber using your fingers or a pointed wooden dowel.

▲ WARNING Do not use a metal tool to attempt to remove an unfired cartridge because it could ignite the primer and cause the cartridge to rupture resulting in fragments of the cartridge flying out of the ejection port with sufficient force to cause death, serious personal injury, and/or property damage.

CHAPTER 5: UNLOADING

⚠ WARNING You should unload your STEYR AUG immediately after you are finished using it to minimize the risk of an unintentional discharge. It is possible that a cartridge may be in the chamber when a loaded magazine is being removed from, or inserted into, your STEYR AUG. A cartridge in the chamber will discharge when the trigger is pulled when the safety is in the “fire” position, whether or not a magazine is in your STEYR AUG. Therefore, never leave your STEYR AUG unattended, even when the magazine is removed. You must always verify that the chamber is empty before field stripping (disassembling into its major components) your STEYR AUG for cleaning or any other reason.

To unload your STEYR AUG, follow the instructions below:

⚠ WARNING To ensure that your STEYR AUG is unloaded, you MUST follow these steps in this order to ensure that there is no cartridge in the chamber when you have finished unloading.

⚠ WARNING Although your STEYR AUG has a last round hold open that will lock the bolt back on an empty magazine, never rely on it to determine whether your rifle is unloaded. Always remove the magazine, fully retract and lock open the bolt and then visually and physically (with your finger) check to make sure there is not a cartridge in the chamber.

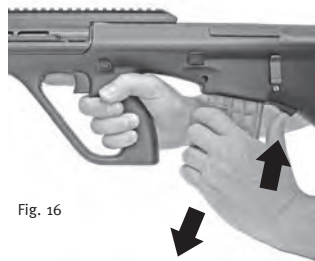


Fig. 16

1. Hold the pistol grip of your STEYR AUG with your right hand with your finger off of the trigger and outside of the trigger guard and, while holding the magazine with your left hand, press the back of the magazine release up with your left thumb;
2. Pull the magazine down and out of the magazine well with your left hand;



Fig. 9

⚠ CAUTION Always pull the cocking slide back with your palm facing up as shown in the accompanying photograph to prevent your knuckles from being cut or scraped on any devices, such as optics, that may be mounted on the Picatinny rail of the receiver.



Fig. 10

3. With your left hand, with your palm facing up, pull the cocking slide back to eject any cartridge that may be in the chamber and lock it in the rear position by turning it clockwise and allowing it to rest on the indentation on the receiver;

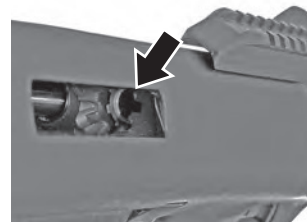


Fig. 17

4. Visually and manually check to make sure that no cartridge remains in the chamber;



Fig. 11

5. Turn the cocking slide counter-clockwise with the thumb of your left hand and allow the cocking slide and bolt carrier to move forward from the force of the recoil spring.

CHAPTER 6: DISASSEMBLY

WARNING Unload all magazines and remove all live ammunition from the area before disassembling your STEYR AUG to reduce the chance of a negligent discharge.

WARNING It is possible that a cartridge may be in the chamber when a loaded magazine is being removed from, or inserted into, your STEYR AUG. A cartridge in the chamber will discharge when the trigger is pulled when the safety is in the “fire” position, whether or not a magazine is in your STEYR AUG. Therefore, never leave your STEYR AUG unattended, even when the magazine is removed. You must always verify that the chamber is empty before field stripping your STEYR AUG for cleaning or any other reason.

WARNING Never alter or modify your STEYR AUG because this could cause it to malfunction and create a dangerous condition.

WARNING Always wear safety glasses when disassembling your STEYR AUG to protect your eyes from serious injury that could be caused by components that are under pressure, such as springs.

CAUTION Be sure to allow your STEYR AUG to cool after firing it to prevent burns from hot components, such as the barrel.

To disassemble (field strip) your STEYR AUG into its major component groups for cleaning, follow the instructions below:

WARNING To ensure that your STEYR AUG is unloaded, you MUST follow these steps in this order when disassembling it to ensure that there is no cartridge in the chamber.

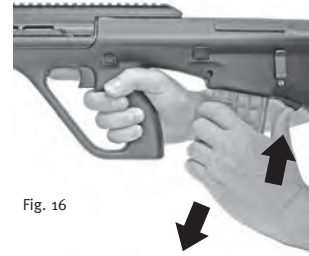


Fig. 16

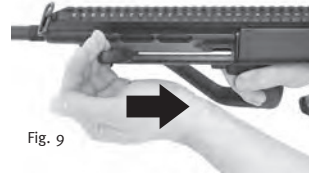


Fig. 9



Fig. 10

1. Hold the pistol grip of your STEYR AUG with your right hand with your finger off of the trigger and outside of the trigger guard and, while holding the magazine with your left hand, press the back of the magazine release up with your left thumb;

2. Pull the magazine down and out of the magazine well with your left hand;

CAUTION Always pull the cocking slide back with your palm facing up as shown in the accompanying photograph to prevent your knuckles from being cut or scraped on any devices, such as optics, that may be mounted on the Picatinny rail of the receiver.

3. With your left hand, with your palm facing up, pull the cocking slide back to eject any cartridge that may be in the chamber and lock it in the rear position by turning it clockwise and allowing it to rest on the indentation on the receiver;

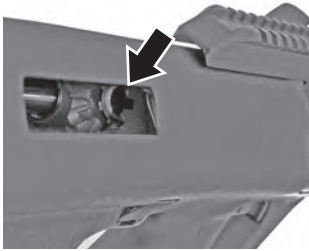


Fig. 17

4. Visually and manually check to make sure that no cartridge remains in the chamber;



Fig. 18

5. Hold the barrel grip with your left hand and use the thumb of your left hand to push the button of the barrel lock pin down, while turning the barrel grip clockwise and pushing the barrel forward and out of the receiver;

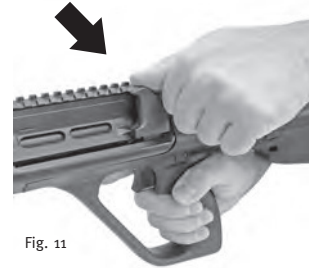


Fig. 11

6. Move the cocking slide forward by turning it counterclockwise with the thumb of your left hand;



Fig. 19

7. Hold the top of the stock with your left hand push the receiver lock from left to right with the thumb of your right hand;



Fig. 20

8. Pull the receiver and bolt carrier forward and out of the stock;



Fig. 21

9. Hold the receiver in your left hand and pull the bolt carrier forward and out of it with your right hand;



Fig. 22

10. Hold the stock vertically with the butt plate up and press the indentation on the butt plate with the thumb of your right hand, while pressing the retaining bolt on the rear of the stock in with the thumb of your left hand;



Fig. 23

11. Hold the stock with your left hand and pull the butt plate off of the stock with your right hand;

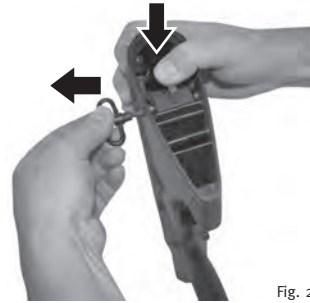


Fig. 24

12. Hold the stock vertically with the butt plate up and press the retaining bolt lock in with the thumb of your right hand and pull out the retaining bolt of the stock with your left hand;



Fig. 25

13. Hold the stock with your left hand and pull the trigger mechanism out of the stock with your right hand.

To field strip the gas operating system, follow the instructions below:



Fig. 26

1. Hold the barrel with your left hand;
2. Press the pressure piece of the gas regulator in, while turning it clockwise until its slot is in the same position as the nose of the gas cylinder;



Fig. 27

3. Take the gas regulator out;



Fig. 28

4. Use the right thrustpiece of the bolt carrier to press the gas piston partially out;



Fig. 29

5. Pull the gas piston and gas piston spring fully out.

To field strip the bolt carrier, follow the instructions below:

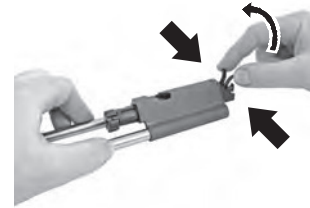


Fig. 30

1. Press the two wings of the anti-turn device together and turn it upwards;

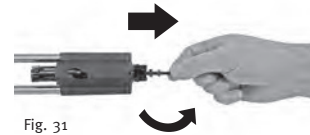


Fig. 31

2. Turn the firing pin counterclockwise with the thumb and index finger of your right hand until it pops out by its own force;

3. Pull the firing pin out of the bolt;

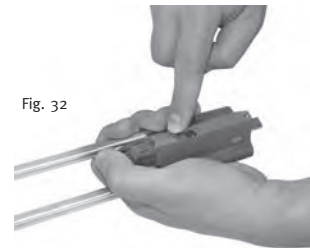


Fig. 32

4. Press the bolt slightly back with the thumb of your left hand while pressing the control bolt down with your right index finger;

5. Release the pressure on the bolt from your left thumb;



Fig. 33

6. Hold the bolt carrier with your left hand and pull the bolt and locking piece with spring and sleeve forward and out of the bolt carrier with your right hand;



Fig. 34

7. Hold the bolt carrier with your left hand and pull the cocking piece down and out of the bolt carrier with your right hand.

To field strip the magazine, follow the instructions below:

NOTICE The magazine should not be disassembled unless necessary, and does not need to be disassembled for the normal cleaning of the STEYR AUG.



Fig. 35

1. Hold the magazine in your left hand with the base plate on top;
2. Insert the tip of a punch, the cleaning catch holder, or another suitable tool into one of the holes in the base plate of the magazine and press the retainer in, while beginning to pull the base plate forward and off of the magazine body with your right hand;

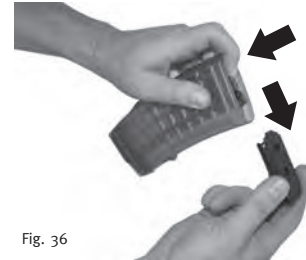


Fig. 36

3. While continuing to pull the base plate forward and off of the magazine body, keep the retainer pressed in the magazine body with the index finger of your left hand;



Fig. 37

4. Support the retainer with your right hand and allow the force of the magazine spring to push it out of the magazine body;
5. Pull the retainer, magazine spring and follower out of the magazine body with your right hand.

⚠ WARNING The STEYR AUG come from the factory set up to eject from the right hand side. It can be modified to eject from the left hand side by replacing the bolt and modifying the stock. Never further disassemble your STEYR AUG. Any further disassembly must be performed by STEYR authorized personnel.

To modify the stock of your STEYR AUG from right hand to left hand ejection, follow the instructions below:



Fig. 38

1. Use your right hand to lift the front of the outside ejection lid slightly with a screwdriver while pushing the back of it forward with your left thumb;
2. Pull the ejection lid off of the stock;
3. The inside ejection lid will drop down into the stock and can be removed through the magazine well or ejection port;



Fig. 39

4. From within the stock, insert the inside ejection lid into the ejection port on the right side of the stock;
5. Slide the outside ejection lid onto the inside ejection lid on the right side of the stock until it engages.

CHAPTER 7: PREVENTATIVE MAINTENANCE

▲ WARNING Always be sure that the barrel of your STEYR AUG is clear of obstructions before firing it. Remove any obstructions before firing your STEYR AUG so that it will function safely and correctly. Any obstruction in the barrel could prevent the STEYR AUG from firing properly and cause the barrel to burst, resulting in death or serious personal injury, and/or damage to the STEYR AUG.

▲ WARNING Always wear safety glasses when cleaning your STEYR AUG to protect your eyes from cleaning materials.

▲ WARNING Always make sure that no ammunition is located in the area where you clean your STEYR AUG. Cleaning solvents can affect the primer and powder in ammunition and cause it to malfunction. This could result in a bullet being pushed into the barrel of your STEYR AUG and getting stuck in the barrel. Firing another round with a bullet stuck in the barrel could cause the barrel to burst and result in death or serious personal injury, in addition to damaging your STEYR AUG.

NOTICE As with any semi-automatic rifle, your STEYR AUG should be field-stripped (disassembled into its major components) every time it is cleaned. Cleaning without field stripping, by merely locking the bolt to the rear and inserting a cleaning rod from the muzzle, can cause dirt, oil and lubricant to build up inside the rifle causing malfunctions.

Main parts for cleaning.



Fig. 2

Clean and lubricate the main parts of your STEYR AUG after you fire it or whenever it becomes exposed to sand, dust or water (including humidity or condensation). Proper maintenance is important to ensure that your STEYR AUG functions correctly. To clean your STEYR AUG, first disassemble it according to the instructions in Chapter 5. Always use cleaning patches and brushes of the proper size for the caliber of your STEYR AUG.

After you have disassembled your STEYR AUG into the six groups shown above, clean it as follows:

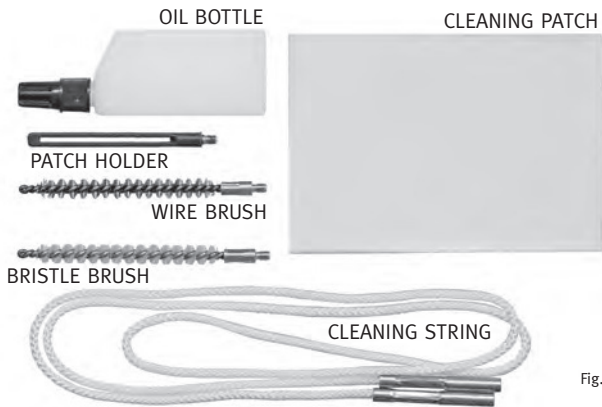


Fig. 40

Clean the inside of the barrel as follows:

1. Screw the patch holder onto the threaded end of the cleaning string. Insert a cleaning patch into the patch holder. Wet the cleaning patch with a gun cleaning solvent or a cleaner-lubricant-preservative and pull it through the barrel, from the chamber end to the muzzle end, several times until the barrel is clean. If necessary, replace the dirty cleaning patch with a new one during this process;
2. Unscrew the patch holder from the cleaning string and screw the bristle brush on instead. Slightly wet the bristle brush with a gun cleaning solvent or a cleaner-lubricant-preservative and pull it through the barrel once, from the chamber end to the muzzle end. If the barrel is extremely dirty, such as when it has been fired many times without having been cleaned, use the wire brush instead of the bristle brush;
3. Unscrew the bristle brush from the cleaning string and screw the patch holder back on. Wet another cleaning patch with a gun cleaning solvent or a cleaner-lubricant-preservative and pull it through the barrel once, from the chamber end to the muzzle end, and examine it. If it is not clean, repeat steps two and three until the patch remains clean after being run through the barrel;

4. Pull a clean patch through the barrel once, from the chamber end to the muzzle end;
5. Lightly wet a clean patch with gun oil or a cleaner-lubricant-preservative and pull it through the barrel once, from the chamber end to the muzzle end;
6. Before firing your STEYR AUG, pull a clean patch through the barrel once, from the chamber end to the muzzle end. Repeat this procedure until the patch comes out of the barrel with no gun oil or cleaner-lubricant-preservative on it.

NOTICE If you will be storing your STEYR AUG, do not perform step 6 until you are ready to fire it.

Clean the gas cylinder, gas piston, gas piston spring and gas regulator as follows:

1. Wet a cleaning patch or a soft rag with a gun cleaning solvent or a cleaner-lubricant-preservative and wipe the gas cylinder, gas piston, gas piston spring and gas regulator to remove any dirt or residue;
2. Wipe the areas dry with a clean patch and examine it. If it is not clean, repeat steps one and two until the patch remains clean;
3. Clean the holes in the gas regulator using a piece of soft wood.

NOTICE Do not use a metal item to clean the holes in the gas plug head because it could damage them.

Clean the plastic parts and the trigger mechanism of the STEYR AUG using a cleaning patch or soft rag. If necessary, water may be used to clean the plastic parts of the STEYR AUG.

Clean the metal parts of the STEYR AUG with a cleaning patch or soft rag.

NOTICE Do not use water to clean the metal parts of the STEYR AUG because it could cause corrosion.

Certain metal parts of the STEYR AUG should be oiled using a gun oil or cleaner-lubricant-preservative as follows:

Fig. 41



1. Apply 2 drops of oil onto the rings of the gas piston;

Fig. 42



2. Apply 2 drops of oil onto the blank area of the gas regulator;

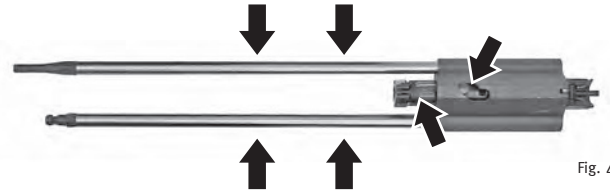


Fig. 43

3. Apply 2 drops of oil onto both of the bolt guide rods;
4. Apply 2 drops of oil between the control bolt and control slot;
5. Apply 1 drop of oil onto the locking piece;
6. Apply a very thin coat of oil to the metal surfaces on the outside of the STEYR AUG.

CAUTION Do not over lubricate your STEYR AUG because too much lubricant can collect unburned powder and other debris and prevent your STEYR AUG from functioning properly.

NOTICE After you have completed cleaning your STEYR AUG, reassemble it as described in Chapter 7 to prevent any damage to the internal parts.

CHAPTER 8: REASSEMBLY

⚠ WARNING Always wear safety glasses when reassembling your STEYR AUG to protect your eyes from serious injury that could be caused by components that are under pressure, such as springs.

To reassemble your STEYR AUG after cleaning it, follow the instructions below.

To assemble the magazine, follow the instructions below:

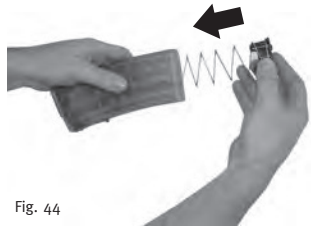


Fig. 44

1. Hold the magazine body with your left hand, with the bottom upwards;
2. Insert the follower, magazine spring and retainer into the magazine body;

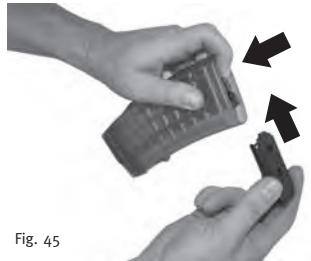


Fig. 45

3. Press the retainer into the magazine body and while holding it in with your left index finger, slide the base plate onto the magazine body from front to back with your right hand.

To assemble the bolt carrier, follow the instructions below:

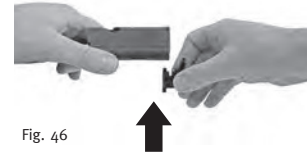


Fig. 46

1. Hold the bolt carrier in your left hand;
2. Insert the cocking piece into the rear of the bolt carrier with your right hand;



Fig. 47

3. Hold the bolt with your left hand and insert the locking piece with spring and sleeve onto the bolt with your right hand;



Fig. 48

4. Hold the bolt carrier with your left hand and slide the bolt into the bolt carrier, with the sleeve and spring first and the extractor on the right side, with your right hand;

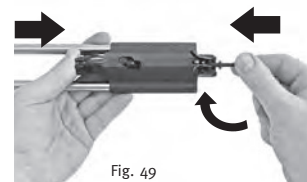


Fig. 49

5. Hold the bolt carrier with your left hand and press the bolt into the bolt carrier with your left thumb, while inserting the firing pin into the rear of the bolt carrier with your right hand until you hear a "click" and the firing pin jumps automatically into its locked position;

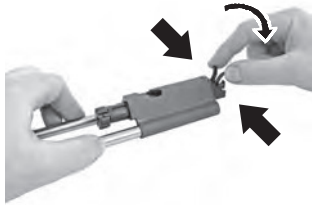


Fig. 50

6. Press the two wings of the anti-twist device together and turn it downwards.

To assemble the gas operating system, follow the instructions below:

1. Hold the barrel with your left hand;



Fig. 51

2. Insert the gas piston into the gas piston spring;



Fig. 52

3. Insert the gas piston and gas piston spring into the opening on the barrel and press them fully into it so that they are no longer visible from the side;



Fig. 53

4. Insert the gas regulator into the opening on the barrel behind the gas piston and spring, with the slot lined up with the nose of the gas cylinder;



Fig. 54

5. Push the gas regulator in while turning it counterclockwise into position one.

NOTICE The gas regulator has two positions. Position one, which is used under normal conditions, is indicated by a small dot at the gas cylinder. Position two, which is used under adverse conditions, such as cold weather, or when the STEYR AUG is dirty, is indicated by a big dot at the gas cylinder.

To assemble the major component groups of your STEYR AUG, follow the instructions below:



Fig. 55

1. Hold the stock with your left hand and press the top of the bolt release lever against the stock with your left thumb;
2. Insert the trigger mechanism (the hammer must be cocked) into the rear of the stock with your right hand;

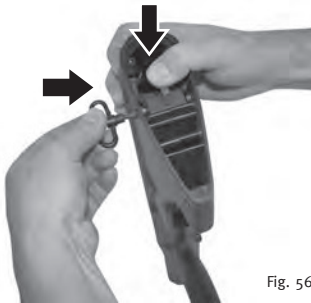


Fig. 56

3. Press the retaining bolt lock in with your right thumb;
4. Press the retaining bolt completely into the stock with your left hand;



Fig. 57

5. Insert the butt plate into the stock with the little nose of the stock inserted into the slot of the butt plate;

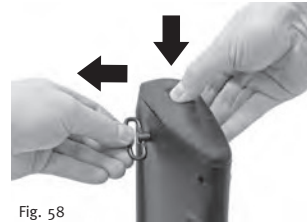


Fig. 58

6. Press down on the butt plate with your right thumb, while pulling the retaining bolt partially out of the stock with your left hand until you hear a "click";



Fig. 59

7. Hold the receiver with your left hand and slide the bolt carrier into it with your right hand;



Fig. 60

8. Hold the stock with your right hand and slide the receiver and bolt carrier into the stock with your left hand;

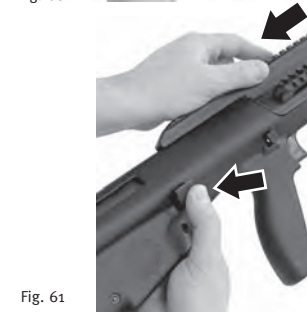


Fig. 61

9. While pressing the receiver and bolt carrier into the stock with your left hand, press the housing lock from right to left with the thumb of your right hand, until you hear a "click";



Fig. 9



Fig. 62



Fig. 63



Fig. 11

⚠ CAUTION Always pull the cocking slide back with your palm facing up as shown in the accompanying photograph to prevent your knuckles from being cut or scraped on any devices, such as optics, that may be mounted on the Picatinny rail of the receiver.

10. Hold the pistol grip with your right hand, and pull the cocking slide to the rear, with your palm facing up and lock it in the rear position by turning it clockwise and allowing it to rest on the indentation on the receiver;

11. Hold the barrel in your left hand and slide it into the receiver, with the forward pistol grip angled to a position of about a quarter to seven o'clock;

12. While pressing the barrel into the receiver with your left hand, turn the barrel counterclockwise until it is fixed;

13. Move the cocking slide forward by turning it counterclockwise with the thumb of your left hand;



Fig. 8

14. Insert the magazine up and into the magazine well with your left hand until the magazine release lock catches (indicated by a “click” sound).

After assembling your STEYR AUG, check to ensure that it is functioning correctly as follows:

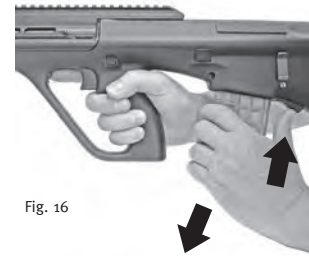


Fig. 16

1. Hold the pistol grip of your STEYR AUG with your right hand with your finger off of the trigger and outside of the trigger guard and, while holding the magazine with your left hand, press the back of the magazine release up with your left thumb;

2. Pull the magazine down and out of the magazine well with your left hand;



Fig. 9

⚠ CAUTION Always pull the cocking slide back with your palm facing up as shown in the accompanying photograph to prevent your knuckles from being cut or scraped on any devices, such as optics, that may be mounted on the Picatinny rail of the receiver.



Fig. 10

3. With your left hand, with your palm facing up pull the cocking slide back and lock it in the rear position by turning it clockwise and allowing it to rest on the indentation on the receiver;



Fig. 11

4. Turn the cocking slide counter-clockwise with the thumb of your left hand and allow the cocking slide and bolt carrier to move forward from the force of the recoil spring;



Fig. 64

5. Check to see if the bolt has locked completely;



Fig. 5

8. Push the safety all the way right into the "safe" position;



Fig. 65

9. Try to pull the trigger (it should not move).



Fig. 6

6. Push the safety all the way left into the "fire" position;



Fig. 15

7. Pull the trigger (you should hear a "click" from the hammer hitting the firing pin);

CHAPTER 9: CORRECTING MALFUNCTIONS

Trouble feeding and loading ammunition.

Possible Cause	Solution
Magazine is inserted wrong.	Remove the magazine and reinsert it. Listen for an audible “click” when the magazine catch locks in place.
Magazine is damaged.	Examine the magazine and replace it with a new one if it is damaged.
Magazine is dirty.	Examine the magazine and clean it if it is dirty.
Insufficient gas pressure.	Move the gas regulator to position two (indicated by a big dot at the gas cylinder).
Chamber is dirty.	Examine the chamber and clean it if it is dirty.
Defective or dirty cartridge.	Dispose of the cartridge and use a new one. Examine the chamber and clean it if it is dirty.

Bolt does not lock completely.

Possible Cause	Solution
Chamber or bolt is dirty.	Examine the chamber and bolt and clean them if they are dirty.
Defective cartridge.	Dispose of the cartridge and use a new one.
Extractor is jammed.	Clean and oil the chamber and extractor.

Misfire.

Possible Cause	Solution
Defective cartridge.	Dispose of the cartridge and use a new one.
Dirty bolt.	Clean and oil the bolt.
Broken firing pin.	Contact STEYR ARMS, Inc. to have your STEYR AUG serviced.
Broken trigger mechanism.	Contact STEYR ARMS, Inc. to have your STEYR AUG serviced.

Trouble extracting.

Possible Cause	Solution
Extractor is jammed.	Clean and oil the extractor.
Broken extractor.	Contact STEYR ARMS, Inc. to have your STEYR AUG serviced.
Weak extractor spring.	Contact STEYR ARMS, Inc. to have your STEYR AUG serviced.

Trouble ejecting (cartridge is extracted from the chamber, but not ejected).

Possible Cause	Solution
Broken ejector.	Contact STEYR ARMS, Inc. to have your STEYR AUG serviced.

CHAPTER 10: PRODUCT SERVICE

LIMITED LIFETIME OPERATIONAL WARRANTY

Subject to the terms, conditions and limitations outlined below, Steyr Arms, Inc. guarantees your Steyr firearm against defects in materials and workmanship that adversely affect its operation for the life of the original retail purchaser as long as he or she continues to own it.

This warranty applies to Steyr firearms purchased on or after January 1, 2019. To activate the lifetime warranty, you must complete the warranty registration form available on the warranty page, within ninety days of the purchase of your Steyr firearm.

WHAT WILL STEYR ARMS, INC. DO IN RESPONSE TO A WARRANTY CLAIM?

In the event of a defect in materials or workmanship that adversely affects the operation of your Steyr firearm, Steyr Arms, Inc. will repair or replace your Steyr firearm at its sole discretion, free of charge. If Steyr Arms, Inc. chooses to replace your Steyr firearm instead of repairing it, it will replace it with the same make and model of firearm, if that model of firearm is: (1) still sold by Steyr Arms, Inc.; and (2) legal for you to possess pursuant to applicable law. If the same model of firearm is no longer sold by Steyr Arms, Inc., or that model of firearm is not legal for you to possess pursuant to applicable law, Steyr Arms, Inc. will replace it with a similar firearm that: (1) it currently sells; and is (2) legal for you to possess, at its sole discretion.

STEYR ARMS COMPONENTS AND PART REPLACEMENT

All Steyr firearms received for warranty work will be inspected. If Steyr Arms determines a firearm component or part is damaged, unsafe, or defective, it will replace the firearm component or part with a Steyr OEM replacement part, inspect the firearm for performance and test fire to ensure proper function and safety.

All Steyr firearms received containing aftermarket components or aftermarket parts will be restored to original factory specifications by replacing all aftermarket components and parts with Steyr OEM parts. Steyr Arms will not guarantee the return of aftermarket components or aftermarket parts with the exception of sights.

Modification of a Steyr firearm or installation of any aftermarket part which alters the original engineering and/or firing mechanism or which results in damage to the other original pistol components voids the Steyr Arms warranty coverage on the affected original part or mechanism. Steyr Arms' warranty on specific firearm components and parts is void due to a modification where the modification, alteration or installation of an aftermarket part was responsible for the failure. Steyr Arms will not accept liability for any subsequent malfunction or defect that in any way arises from, in connection with, or as a result of the installation of aftermarket components or aftermarket parts in a Steyr firearm.

HOW TO MAKE A WARRANTY CLAIM

To make a claim under this warranty, contact Steyr Arms, Inc. at: 2530 Morgan Road, Bessemer, AL 35022, or by telephone at (205) 417-8644 for instructions on how to return your Steyr firearm or fill out the Warranty Claim Form online and email it to info-usa@steyr-arms.com. Do not return your Steyr firearm for service without prior authorization because of federal and state law restricting the shipment of firearms.

LIMITATIONS OF WARRANTY

This warranty applies only to Steyr firearms sold in the United States by Steyr Arms, Inc.

This warranty is valid for the original purchaser only and is non-transferrable.

This warranty does not apply to the normal wear and tear of parts that must be periodically replaced, including, but not limited to, springs, recoil assemblies, extractors, pistons, piston rings, tritium sights, etc.

There are no warranties that extend beyond the description on the face hereof.

The sole and exclusive remedy pursuant to this warranty is the repair or replacement of your Steyr firearm, at the sole discretion of Steyr Arms, Inc.

The implied warranties of merchantability and fitness for a particular purpose are expressly limited to one year from the date of the original retail purchase of your Steyr firearm.

All disclaimers and limitations of liability shall still apply even if the limited remedy of repair and replacement fails of its essential purpose.

The warranty will be void if any of the following occur:

- (1) the instructions in the Instruction Manual are not followed;
- (2) your Steyr firearm or any of its parts are altered or modified from their original state;
- (3) damage is caused by misuse, abuse or improper maintenance;
- (4) damage is caused by reloaded or remanufactured ammunition, or ammunition that does not meet SAAMI, CIP or NATO standards;
- (5) your Steyr firearm is disassembled beyond the instructions of the Instruction Manual; or
- (6) your Steyr firearm is not properly maintained. Steyr Arms, Inc. requires that you have your Steyr firearm professionally cleaned and inspected at least once every five years or every five thousand rounds, whichever comes first by a Steyr authorized gunsmith or armorer.

REQUIREMENTS FOR BREACH OF WARRANTY CLAIMS

Any action against Steyr Arms, Inc. based on an alleged breach of this warranty must be brought within one (1) year of the claimed breach.

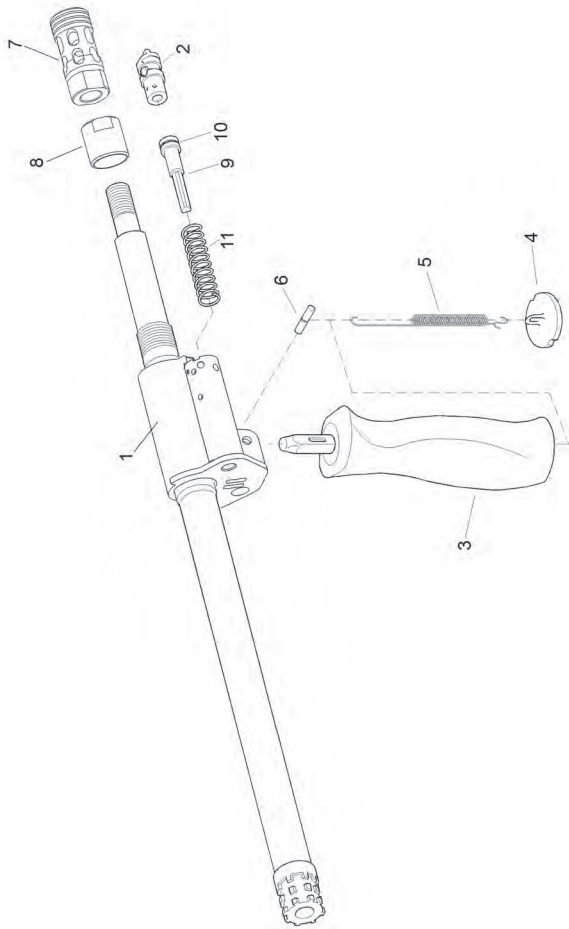
Any action against Steyr Arms, Inc. based on an alleged breach of this warranty shall be governed by the substantive law of Alabama, without regard to its conflict of laws rules, and must be brought exclusively in a state court located in Jefferson County, Alabama, or in the United States District Court for the Northern District of Alabama.

Steyr Arms, Inc.'s liability for breach of warranty shall be limited to repair or replacement of your Steyr firearm, at the sole discretion of Steyr Arms, Inc.

In states where permitted, Steyr Arms, Inc. assumes no liability for incidental or consequential damages, or for incidental expenses.

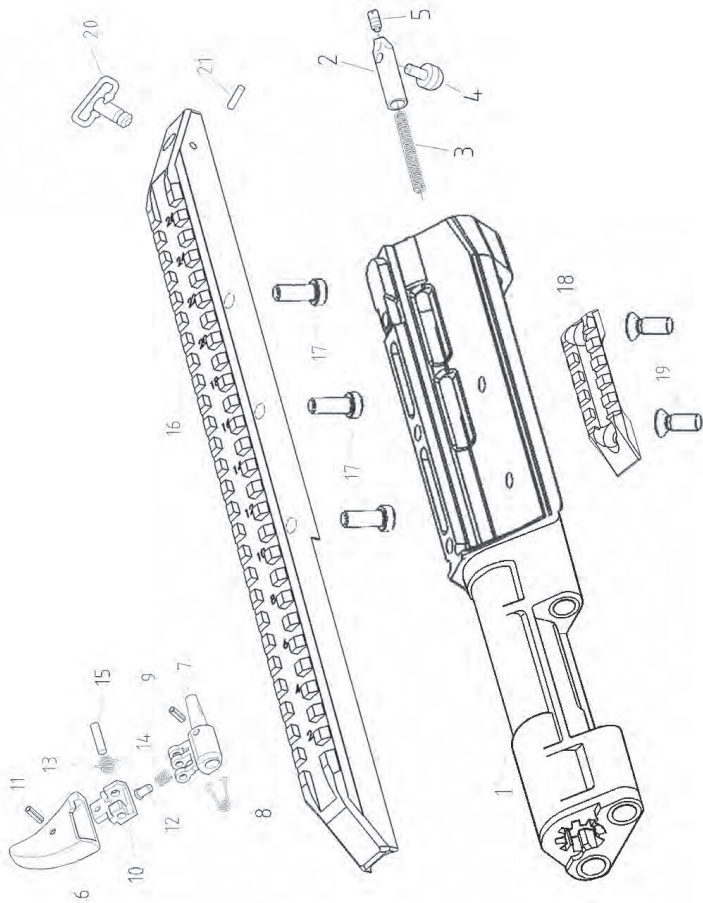
CHAPTER 11: TECHNICAL SPECIFICATIONS

Caliber	5.56x45mm (.223 Rem.)
Length.....	28.15" / 715 mm
Height (without magazine)	9.37" / 238 mm
Height (with 30 round magazine).....	11.06" / 281 mm
Weight (without magazine).....	7.8 lbs. / 3.55 kg.
Barrel length	16 inches / 407 mm
Rifling.....	6 grooves, 1 turn right in 9" / 228.6 mm
Magazine capacity	30 rounds (10 and 42 rounds optional)
Weight of empty magazine (30 round)	4.27 oz. / 0.12 kgs



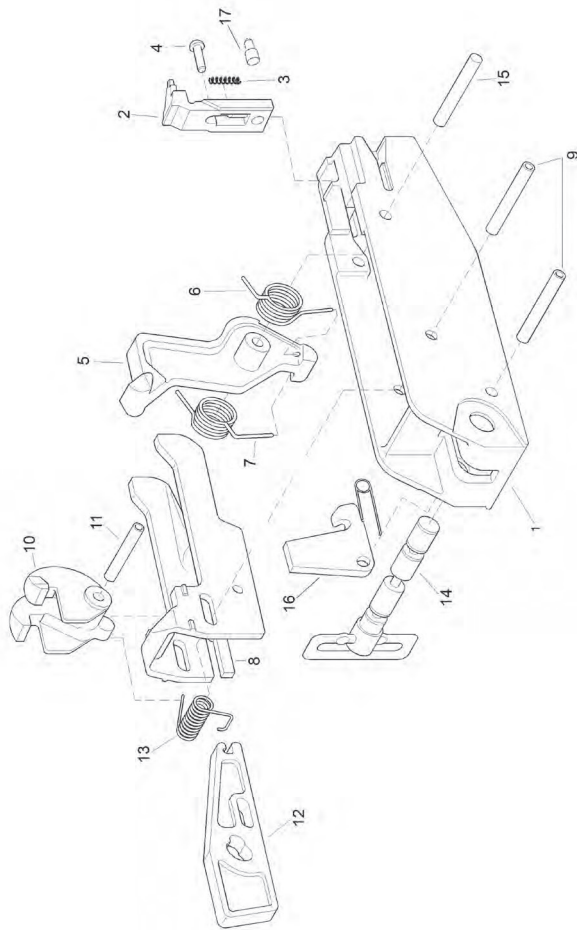
CHAPTER 12: PARTS LIST

ITEM	DESCRIPTION	QUANTITY
BARREL GROUP		
1.	BARREL, SUB-ASSY.	1 pcs.
2.	GAS REGULATOR, SUB-ASSY	1 pcs.
3.	BARREL GRIP 9011, SUB-ASSY.	1 pcs.
4.	LID, BARREL GRIP 9011	1 pcs.
5.	SPRING, BARREL GRIP	1 pcs.
6.	PIN	1 pcs.
7.	MUZZLE ATTACHMENT	1 pcs.
8.	NUT	1 pcs.
9.	GAS PISTON	1 pcs.
10.	RING, GAS PISTON	3 pcs.
11.	SPRING, GAS PISTON	1 pcs.



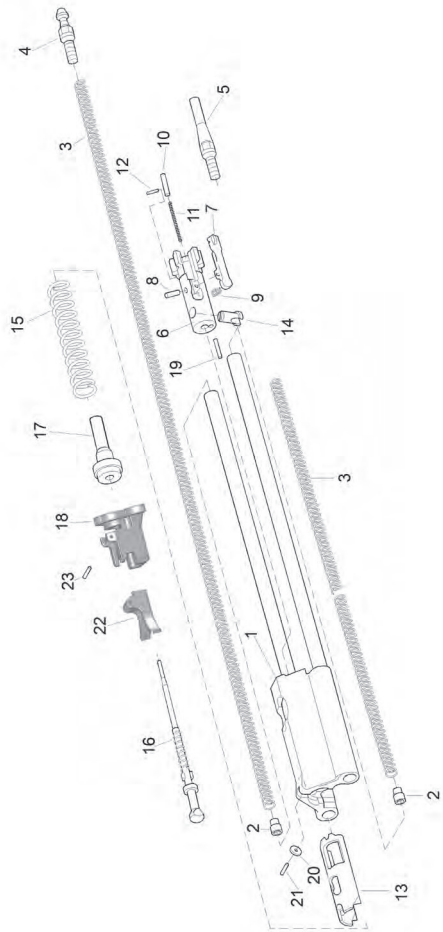
CHAPTER 12: PARTS LIST

ITEM	DESCRIPTION	QUANTITY
RECEIVER GROUP		
1	RECEIVER A3 SA, SUB-ASSY.	1 pcs.
2	PIN, BARREL LOCK	1 pcs.
3	SPRING, PIN BARREL LOCK	1 pcs.
4	BUTTON, SUB-ASSY., BLACK	1 pcs.
5	GRUB SCREW	1 pcs.
6	GRIP, SLIDE COCKING	1 pcs.
7	BODY, SLIDE COCKING	1 pcs.
8	SPRING, SLIDE COCKING	1 pcs.
9	PIN	1 pcs.
10	LINK PIECE	1 pcs.
11	PIN	1 pcs.
12	CONNECTING BOLT	1 pcs.
13	SPRING, SLIDE COCKING	1 pcs.
14	SPRING, CONNECTING BOLT	1 pcs.
15	PIN	1 pcs.
16	PICATINNY RAIL AUG A3	1 pcs.
17	SCREW	3 pcs.
18	PICATINNY RAIL SHORT	1 pcs.
19	SCREW	2 pcs.
20	SLING SWIVEL FRONT, SUB-ASSY.	1 pcs.
21	PIN	1 pcs.



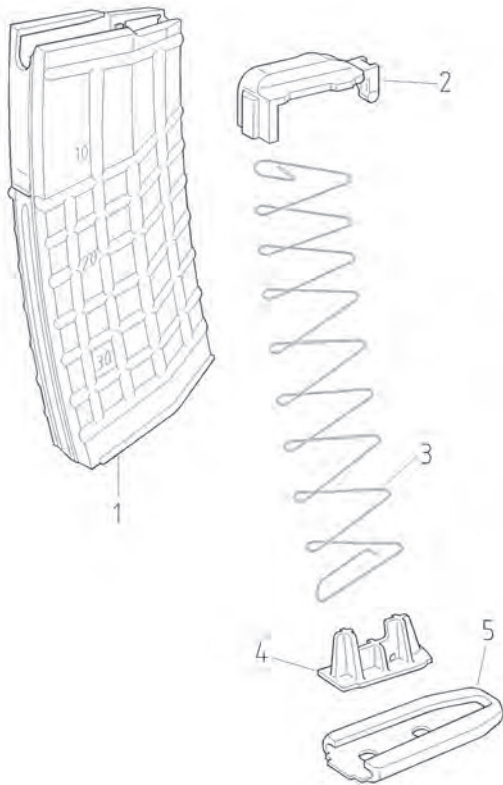
CHAPTER 12: PARTS LIST

ITEM	DESCRIPTION	QUANTITY
TRIGGER GROUP		
1	BODY, TRIGGER MECHANISM A3 SA	1 pcs.
2	CATCH HOLDING OPEN A3	1 pcs.
3	SPRING, CATCH HOLDING OPEN	1 pcs.
4	PIN, CATCH HOLDING OPEN	1 pcs.
5	HAMMER SA	1 pcs.
6	SPRING SA, HAMMER RIGHT	1 pcs.
7	SPRING SA, HAMMER LEFT	1 pcs.
8	SLIDE, TRIGGER MECHANISM	1 pcs.
9	PIN, TRIGGER MECHANISM	2 pcs.
10	LEVER SA, DISCONNECT	1 pcs.
11	PIN LEVER DISCONNECT	1 pcs.
12	LOCK, BOLT RETAINING	1 pcs.
13	SPRING, TRIGGER	1 pcs.
14	BOLT RETAINING, SUB-ASSY.	1 pcs.
15	PIN, HAMMER	1 pcs.
16	DROP-SAFETY, SUB-ASSY.	1 pcs.
17	COUPLING PIN A3	1 pcs.



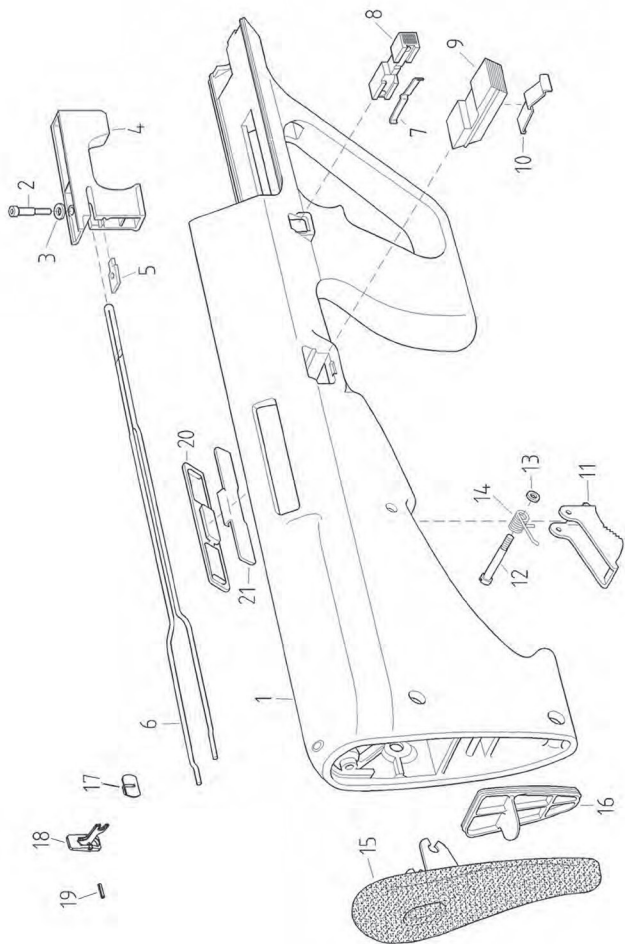
CHAPTER 12: PARTS LIST

ITEM	DESCRIPTION	QUANTITY
BOLT GROUP		
1	BOLT CARRIER SA, SUB-ASSY.	1 pcs.
2	PLUNGER, SPRING LOCK LONG	2 pcs.
3	SPRING LOCK, LONG	2 pcs.
4	THRUSTPIECE, LEFT	1 pcs.
5	THRUSTPIECE, RIGHT	1 pcs.
6	BOLT, RIGHT	1 pcs.
7	EXTRACTOR	1 pcs.
8	PIN, EXTRACTOR	1 pcs.
9	SPRING, EXTRACTOR, SUB-ASSY	1 pcs.
10	EJECTOR	1 pcs.
11	SPRING, EJECTOR	1 pcs.
12	PIN, RETAINING EJECTOR	1 pcs.
13	PIECE LOCKING	1 pcs.
14	BOLT, CONTROL	1 pcs.
15	SPRING, SLIDE COCKING	1 pcs.
16	PIN, FIRING, SUB-ASSY.	1 pcs.
17	SLEEVE, SPRING PIECE LOCKING	1 pcs.
18	COCKING-PIECE	1 pcs.
19	PIN, RETAINING, PIN CONTR.	1 pcs.
20	ROLLER, SLIDE	1 pcs.
21	PIN, ROLLER SLIDE	1 pcs.
22	ANTI-TURN DEVICE	1 pcs.
23	PIN	1 pcs.



CHAPTER 12: PARTS LIST

ITEM	DESCRIPTION	QUANTITY
MAGAZINE GROUP		
1	BODY, MAGAZINE	1 pcs.
2	FOLLOWER	1 pcs.
3	SPRING	1 pcs.
4	RETAINER	1 pcs.
5	BASE PLATE	1 pcs.



CHAPTER 12: PARTS LIST

ITEM	DESCRIPTION	QUANTITY
STOCK GROUP		
1	STOCK USA SA, SUB-ASSY.	1 pcs.
2	SCREW, TRIGGER	1 pcs.
3	WASHER, TRIGGER	1 pcs.
4	TRIGGER	1 pcs.
5	NUT, TRIGGER	1 pcs.
6	SEAR	1 pcs.
7	SPRING, CATCH SAFETY	1 pcs.
8	CATCH SAFETY	1 pcs.
9	RECEIVER LOCK SA	1 pcs.
10	SPRING, RECEIVER LOCK	1 pcs.
11	CATCH, MAGAZINE	1 pcs.
12	BOLT, MAGAZINE CATCH	1 pcs.
13	NUT, MAGAZINE CATCH	1 pcs.
14	SPRING, MAGAZINE CATCH	1 pcs.
15	PLATE BUTT, SUB-ASSY.	1 pcs.
16	LID, CLEANING KIT COMP.	1 pcs.
17	INSERT	1 pcs.
18	LEVER, RELEASE BOLT	1 pcs.
19	PIN	1 pcs.
20	LID EJECTION USA, OUTSIDE	1 pcs.
21	LID EJECTION, INSIDE	1 pcs.

STATE REQUIRED WARNINGS

The following warnings are required by certain jurisdictions.

California:

WARNING “Children are attracted to and can operate firearms that can cause severe injuries or death. Prevent child access by always keeping guns locked away and unloaded when not in use. If you keep a loaded firearm where a child obtains and improperly uses it, you may be fined or sent to prison.” ⚠️

ADVERTENCIA “A los niños los atraen las armas de fuego y las pueden hacer funcionar. Ellos pueden causarse lesiones graves y la muerte. Evite que los niños tengan acceso a las armas de fuego guardándolas siempre con llave y descargadas cuando no las esté utilizando. Si usted tiene una arma de fuego cargada en un lugar en que un niño tiene acceso a ella y la usa indebidamente, le pueden dar una multa o enviarlo a la cárcel.” ⚠️

Connecticut:

“UNLAWFUL STORAGE OF A LOADED FIREARM MAY RESULT IN IMPRISONMENT OR FINE.”

Florida:

“IT IS UNLAWFUL, AND PUNISHABLE BY IMPRISONMENT AND FINE, FOR ANY ADULT TO STORE OR LEAVE A FIREARM IN ANY PLACE WITHIN THE REACH OR EASY ACCESS OF A MINOR UNDER 18 YEARS OF AGE OR TO KNOWINGLY SELL OR OTHERWISE TRANSFER OWNERSHIP OR POSSESSION OF A FIREARM TO A MINOR OR A PERSON OF UNSOUND MIND.”

Maine:

“ENDANGERING THE WELFARE OF A CHILD IS A CRIME. IF YOU LEAVE A FIREARM AND AMMUNITION WITHIN EASY ACCESS OF A CHILD, YOU MAY BE SUBJECT TO FINE, IMPRISONMENT OR BOTH. KEEP FIREARMS AND AMMUNITION LOCKED UP. USE TRIGGER LOCKS.”

Maryland:

WARNING: “CHILDREN CAN OPERATE FIREARMS WHICH MAY CAUSE DEATH OR SERIOUS INJURY. IT IS A CRIME TO STORE OR LEAVE A LOADED FIREARM IN ANY LOCATION WHERE AN INDIVIDUAL KNEW OR SHOULD HAVE KNOWN THAT AN UNSUPERVISED MINOR WOULD GAIN ACCESS TO THE FIREARM. STORE YOUR FIREARM RESPONSIBLY!”

Massachusetts:

“WARNING FROM THE MASSACHUSETTS ATTORNEY GENERAL: This handgun is not equipped with a device that fully blocks use by unauthorized users. More than 200,000 firearms like this one are stolen from their owners every year in the United States. In addition, there are more than a thousand suicides each year by younger children and teenagers who get access to firearms. Hundreds more die from accidental discharge. It is likely that many more children sustain serious wounds, or inflict such wounds accidentally on others. In order to limit the chance of such misuse, it is imperative that you keep this weapon locked in a secure place and take reasonable preventive steps necessary to limit the possibility of theft or accident. Failure to take reasonable preventative steps may result in innocent lives being lost, and in some circumstances may result in your liability for these deaths.”

“IT IS UNLAWFUL TO STORE OR KEEP A FIREARM, RIFLE, SHOTGUN OR MACHINE GUN IN ANY PLACE UNLESS THAT WEAPON IS EQUIPPED WITH A TAMPER-RESISTANT SAFETY DEVICE OR IS STORED OR KEPT IN A SECURELY LOCKED CONTAINER.”

New Jersey:

“IT IS A CRIMINAL OFFENSE TO LEAVE A LOADED FIREARM WITHIN EASY ACCESS OF A MINOR.”

New York:

WARNING: RESPONSIBLE FIREARM STORAGE IS THE LAW IN NEW YORK STATE. FIREARMS MUST EITHER BE STORED WITH A GUN LOCKING DEVICE OR IN A SAFE STORAGE DEPOSITORY OR NOT BE LEFT OUTSIDE THE IMMEDIATE POSSESSION AND CONTROL OF THE OWNER OR OTHER LAWFUL POSSESSOR IF A CHILD RESIDES IN THE HOME OR IS PRESENT, OR IF THE OWNER OR POSSESSOR RESIDES WITH A PERSON PROHIBITED FROM POSSESSING A FIREARM UNDER STATE OR FEDERAL LAW. FIREARMS SHOULD BE STORED UNLOADED AND LOCKED IN A LOCATION SEPARATE FROM AMMUNITION. LEAVING FIREARMS ACCESSIBLE TO A CHILD OR OTHER PROHIBITED PERSON MAY SUBJECT YOU TO IMPRISONMENT, FINE OR BOTH.

New York City:

“THE USE OF A LOCKING DEVICE OR SAFETY LOCK IS ONLY ONE ASPECT OF RESPONSIBLE FIREARMS STORAGE. FOR INCREASED SAFETY, FIREARMS SHOULD BE STORED UNLOADED AND LOCKED IN A LOCATION THAT IS BOTH SEPARATE FROM THEIR AMMUNITION AND INACCESSIBLE TO CHILDREN AND OTHER UNAUTHORIZED PERSONS.”

North Carolina:

“IT IS UNLAWFUL TO STORE OR LEAVE A FIREARM THAT CAN BE DISCHARGED IN A MANNER THAT A REASONABLE PERSON SHOULD KNOW IS ACCESSIBLE TO A MINOR.”

Texas:

“IT IS UNLAWFUL TO STORE, TRANSPORT, OR ABANDON AN UNSECURED FIREARM IN A PLACE WHERE CHILDREN ARE LIKELY TO BE AND CAN OBTAIN ACCESS TO THE FIREARM.”

Wisconsin:

“IF YOU LEAVE A LOADED FIREARM WITHIN THE REACH OR EASY ACCESS OF A CHILD YOU MAY BE FINED OR IMPRISONED OR BOTH IF THE CHILD IMPROPERLY DISCHARGES, POSSESSES, OR EXHIBITS THE FIREARM.”

State laws and regulations concerning firearms change constantly. Please check with your state attorney general's office or state police for additional laws and regulations regarding the storage and use of firearms in your state.

Notes

Notes

Notes

Notes

Notes

STEYR ARMS, Inc.
2530 Morgan Road
Bessemer, AL 35022
Tel. (205) 417-8644
Fax.(205) 417-8647
www.steyr-arms.com/us



STEYR ARMS GmbH
Ramingtonal 46, 4442 Kleinraming, Austria
www.steyr-arms.com/en